

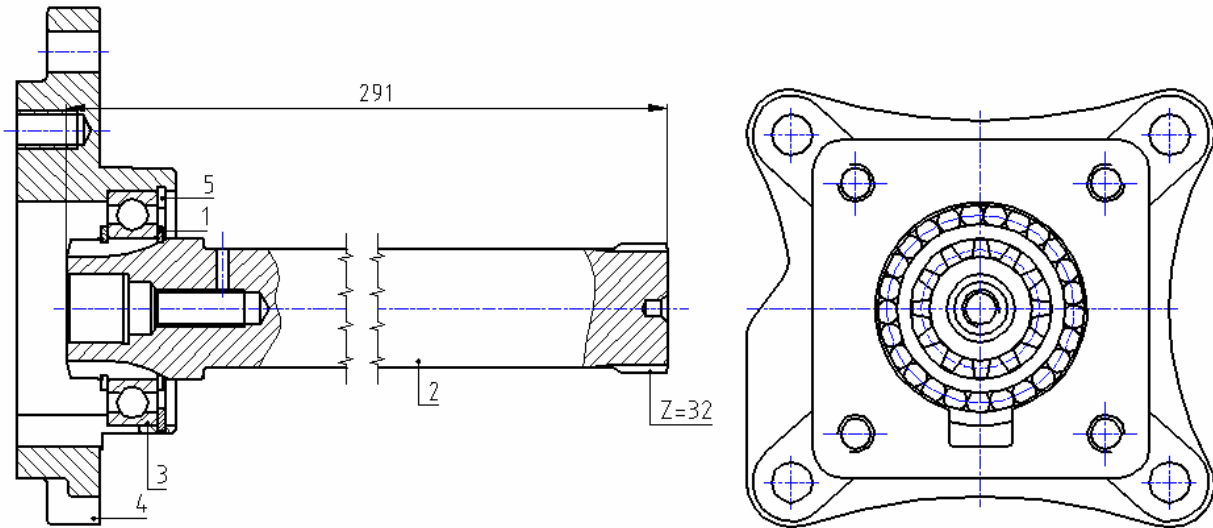
## Adapter KIT to Power Take Offs

Ref. VK5005S  
VK5005AM

**VOLVO**

R1000 IT ; SR 1000 IT ; R1400 IT ; R 1700 IT ; SR1400 IT ; SR1700 IT ;  
SR1900 IT ; SR200 IT ; SR2400 IT ; SRO2400 IT

### Main Dimensions



- 1 – Flange
- 2 – Bearing
- 3 – Circlip
- 4 – Adapter shaft VK5005

### Main Data

<b>Continuous Torque (Nm)</b>	<b>300</b>
<b>Intermittent Torque (Nm)</b>	<b>420</b>
<b>Power (at 1000 r.p.m)</b>	<b>42 C.V. / 32 Kw</b>
<b>Weight (Kg)</b>	<b>5.2</b>
<b>Engine-Kit adapter ratio</b>	

#### Note :

Adapter Kit is supplied without studs. Please use those that are provided with the PTO.

- 4 screws UMB M12x35
- 4 washers
- 1 jute Volvo