

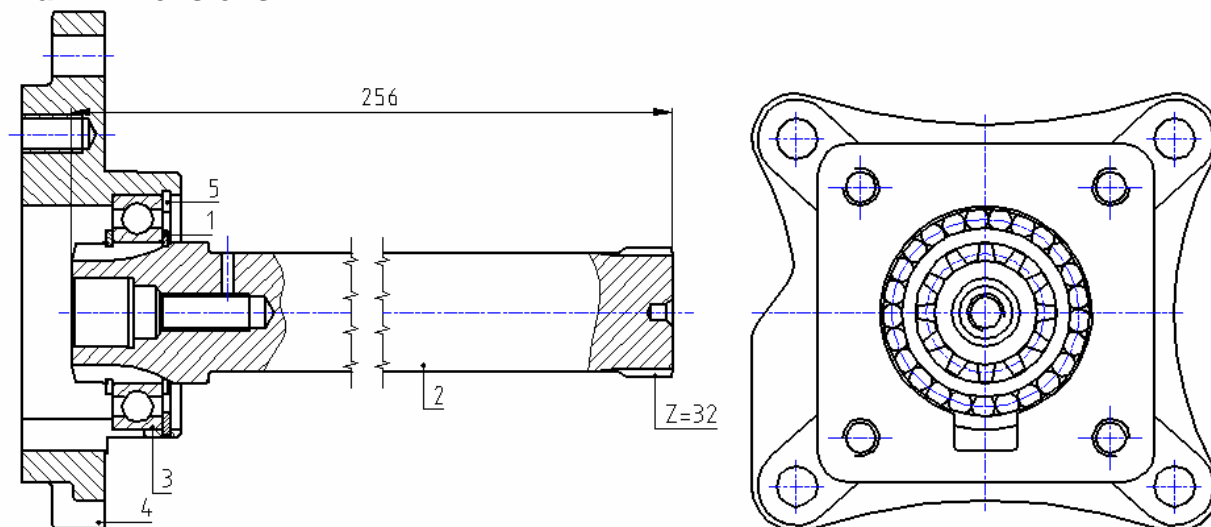
## Adapter KIT to Power Take Offs

Ref. VK5004S  
VK5004AM

**VOLVO**

R1000 ; SR 1000 ; R1400 ; R 1700 ; SR1400 ; SR1700 ; SR1900  
SR200 ; SR2400 ; SRO2400

### Main Dimensions



- 1 – Flange
- 2 – Bearing
- 3 – Circlip
- 4 – Adapter shaft VK5004

### Main Data

<b>Continuous Torque (Nm)</b>	<b>300</b>
<b>Intermittent Torque (Nm)</b>	<b>420</b>
<b>Power (at 1000 r.p.m)</b>	<b>42 C.V. / 32 Kw</b>
<b>Weight (Kg)</b>	<b>4.9</b>
<b>Engine-Kit adapter ratio</b>	

R 1000 ; R 1400 ; R 1700	.- 1 : 0.700	
SR 1400 ; SR 1700 ; SR 1900	High: .- 1 : 0.880	Normal: .- 1 : 0.700
SR 2000	High: .- 1 : 0.820	Normal: .- 1 : 0.650

#### Note 1:

For getting the correct ratio is necessary to multiply the above mentioned ratio by the internal ratio in all S6-90 releases.

#### Example:

Gearbox SR1400 ; SR1700 ; SR 1900 Adapter Kit + ZF S6-90 (Ref. TF4002AMP) Internal Ratio 1:1.32

Final ratio: High .- 1 : 1.162 (0.880 x 1.32 = 1.162)

Normal .- 1 : 0.924 (0.700 x 1.32 = 0.924)

#### Note :

Adapter Kit is supplied without studs. Please use those that are provided with the PTO.

- 4 screws UMB M12x35
- 4 washers
- 1 jute Volvo