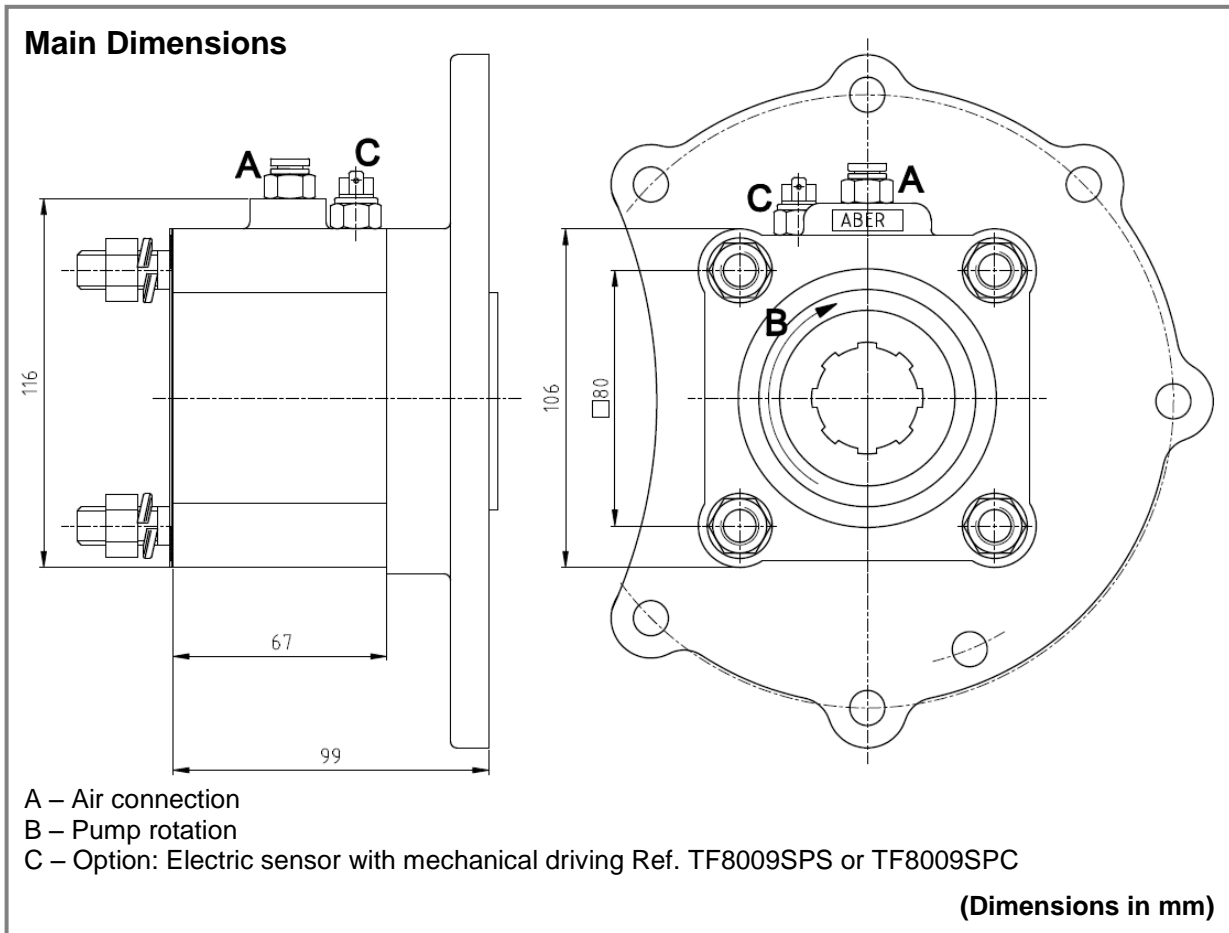




<b>Power Take Offs</b>		Ref. TF8009SP
Relation 1 : 1		
<b>MERCEDES</b>	G-60 ; G-85	

To apply with Gear Pumps or with Piston Pumps



<b>Main Data</b>	
<b>Continuous Torque (Nm)</b>	<b>500</b>
<b>Intermittent Torque (Nm)</b>	<b>700</b>
<b>Power (at 1000 rpm)</b>	<b>70 cv / 52 kW</b>
<b>Mounting Position</b>	<b>Rear</b>
<b>Pump Rotation</b>	<b>Left Hand</b>
<b>Weight (kg)</b>	<b>7</b>
<b>PTO internal ratio</b>	<b>1:1</b>
<b>Indicative ratio from motor to PTO's output</b>	
G60 - 6/ 9.2	- 1 : 0.549
G85 - 6/ 6.7	- 1 : 0.621