



Power Take Offs

Relation 1 : 1,35

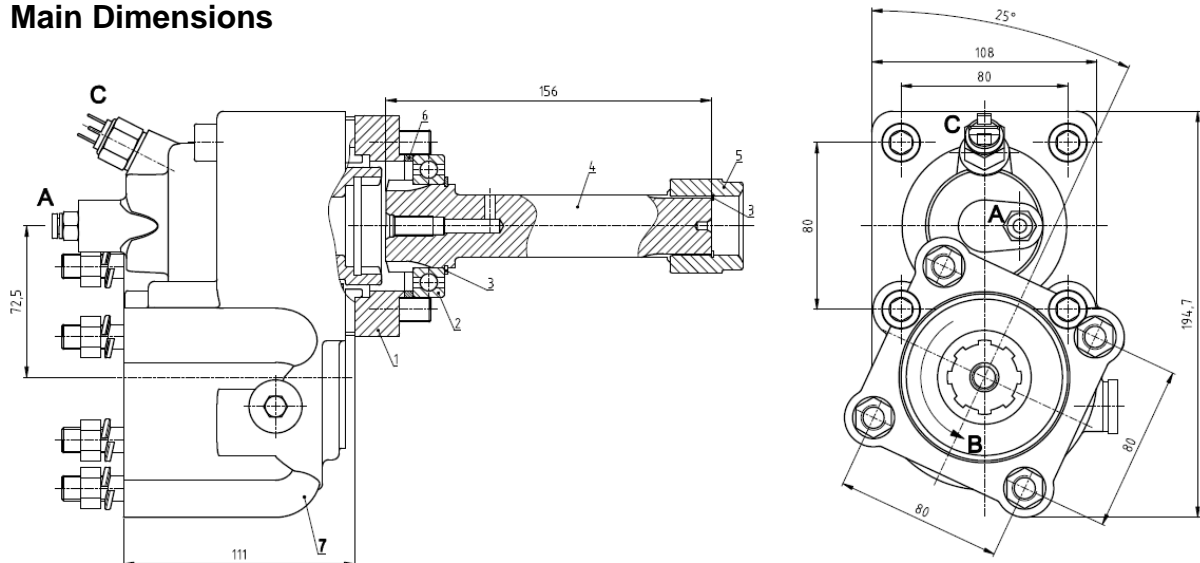
Ref. TF7012AMP

EATON

FS 5109 ; FSO 5109 ; FS 6109 ; FSO 6109
FS 8209 ; FSO 8209 ; FS 8309 ; FSO 8309

To apply with Gear Pumps or with Piston Pumps

Main Dimensions



A – Air connection

B – Sense of rotation

C – Option: Electric sensor with mechanical driving Ref. TF7012AMPS or TF7012AMPC

1 – Flange

2 – Bearing

3 – Circlip

4 – Adapter shaft VK7002

5 – Adapter sleeve

6 – Adapter washer

7 – TF4036AMP

(Dimensions in mm)

Main Data

Continuous Torque (Nm)	450
Intermittent Torque (Nm)	500
Power (at 1000 r.p.m)	62 C.V. / 46 Kw
Mounting Position	Rear
Pump Rotation	Right Hand
Weight (Kg)	13.5
PTO internal ratio	1:1,35

Indicative ratio from motor to PTO's output

5109 DT	- 1 : 0.957	FS 8209 A	- 1 : 1.104
5109 OD	- 1 : 1.265	FSO 8209 A	- 1 : 1.104
6109 DT	- 1 : 1.033	FS 8309 A	- 1 : 1.104
6109 OD	- 1 : 1.383	FSO 8309 A	- 1 : 1.104