



Power Take Offs

Relation 1 : 1

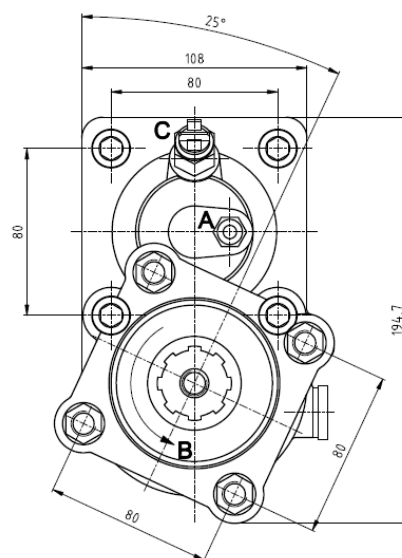
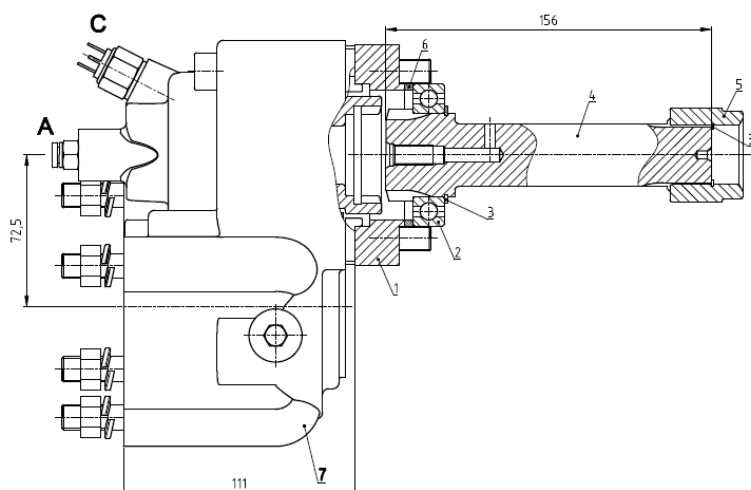
Ref. TF7009AMP

EATON

FS 5109 ; FSO 5109 ; FS 6109 ; FSO 6109
FS 8209 ; FSO 8209 ; FS 8309 ; FSO 8309

To apply with Gear Pumps or with Piston Pumps

Main Dimensions



- A – Air connection
- B – Sense of rotation
- C – Option: Electric sensor with mechanical driving Ref. TF7009AMPS or TF7009AMPC
- 1 – Flange
- 2 – Bearing
- 3 – Circlip
- 4 – Adapter shaft VK7002
- 5 – Adapter sleeve
- 6 – Adapter washer
- 7 – TF4033AMP

(Dimensions in mm)

Main Data

Continuous Torque (Nm)	500
Intermittent Torque (Nm)	550
Power (at 1000 r.p.m)	69 C.V. / 51 Kw
Mounting Position	Rear
Pump Rotation	Right Hand
Weight (Kg)	13.5
PTO internal ratio	1:1

Indicative ratio from motor to PTO's output

5109 DT	- 1 : 0.709	FS 8209 A	- 1 : 0.818
5109 OD	- 1 : 0.937	FSO 8209 A	- 1 : 0.818
6109 DT	- 1 : 0.765	FS 8309 A	- 1 : 0.818
6109 OD	- 1 : 1.024	FSO 8309 A	- 1 : 0.818