



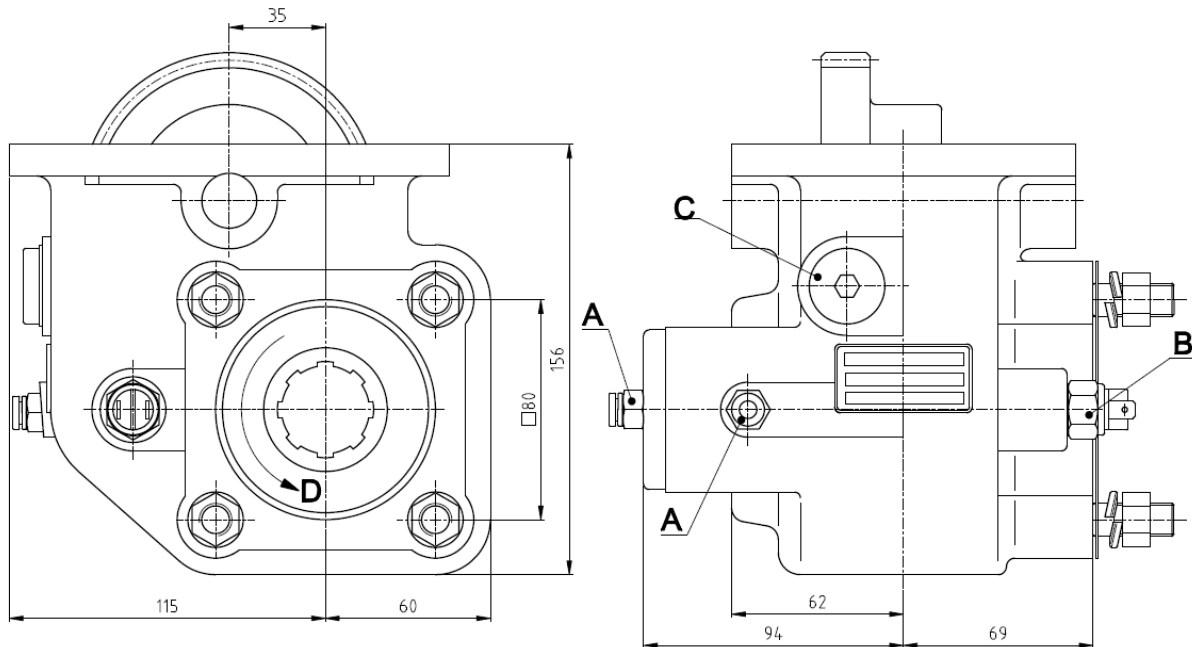
## Power Take Offs

Ref. TF7008V

EATON

6109 DT/OD ; 8209 ; 8309 ; ES11109

### Main Dimensions



A – Vacuum connection

B – Option: Electric sensor with mechanical driving Ref. TF7008VS or TF7008VC

C – Oil drain plug

D – Pump rotation

(Dimensions in mm)

### Main Data

<b>Continuous Torque (Nm)</b>	<b>300</b>
<b>Intermittent Torque (Nm)</b>	<b>420</b>
<b>Power (at 1000 r.p.m)</b>	<b>42 C.V. / 32 Kw</b>
<b>Mounting Position</b>	<b>Left</b>
<b>Pump Rotation</b>	<b>Right Hand</b>
<b>Weight (Kg)</b>	<b>7</b>
<b>PTO internal ratio</b>	<b>1:1,28</b>
<b>Indicative ratio from motor to PTO's output</b>	

6109 DT, FS-8209A, 8309A	1:0,60
6109 OD, FSO-8209A	1:0,80