



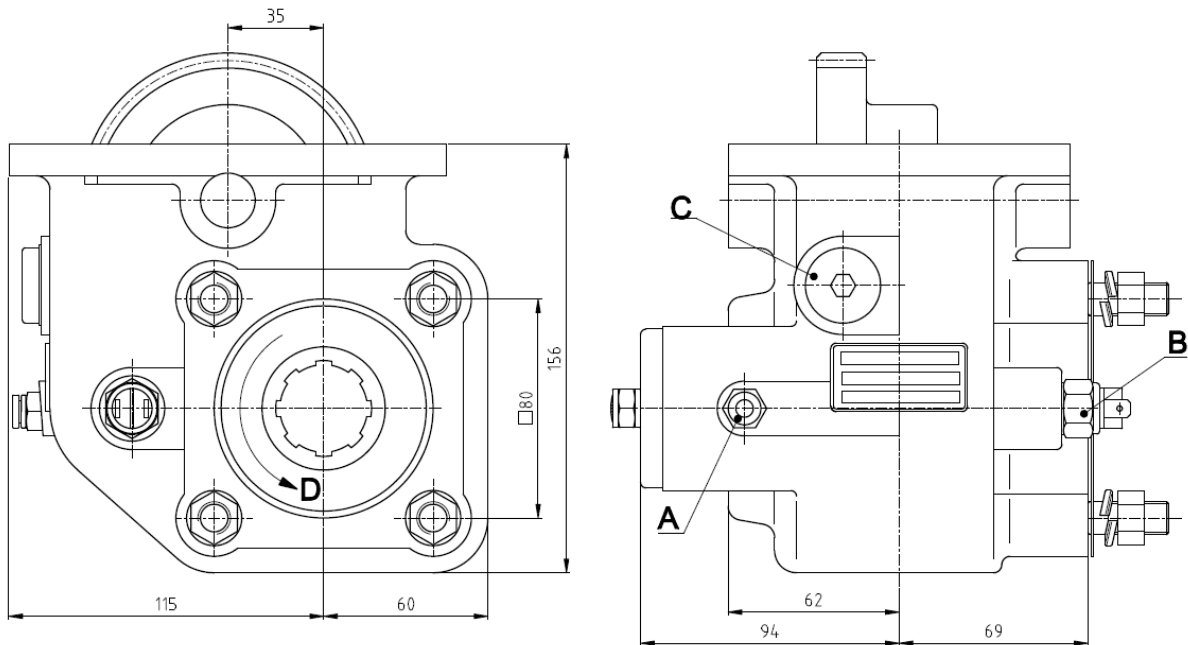
Power Take Offs

Ref. TF7008P

EATON

6109 DT/OD ; 8209 ; 8309 ; ES11109

Main Dimensions



A – Air connection

B – Option: Electric sensor with mechanical driving Ref. TF7008PS or TF7008PC

C – Oil drain plug

D – Pump rotation

(Dimensions in mm)

Main Data

Continuous Torque (Nm)	300
Intermittent Torque (Nm)	420
Power (at 1000 r.p.m)	42 C.V. / 32 Kw
Mounting Position	Left
Pump Rotation	Right Hand
Weight (Kg)	7
PTO internal ratio	1:1,28
Indicative ratio from motor to PTO's output	

6109 DT, FS-8209A, 8309A	1:0,60
6109 OD, FSO-8209A	1:0,80