

Power Take Offs

Relation 1: 1

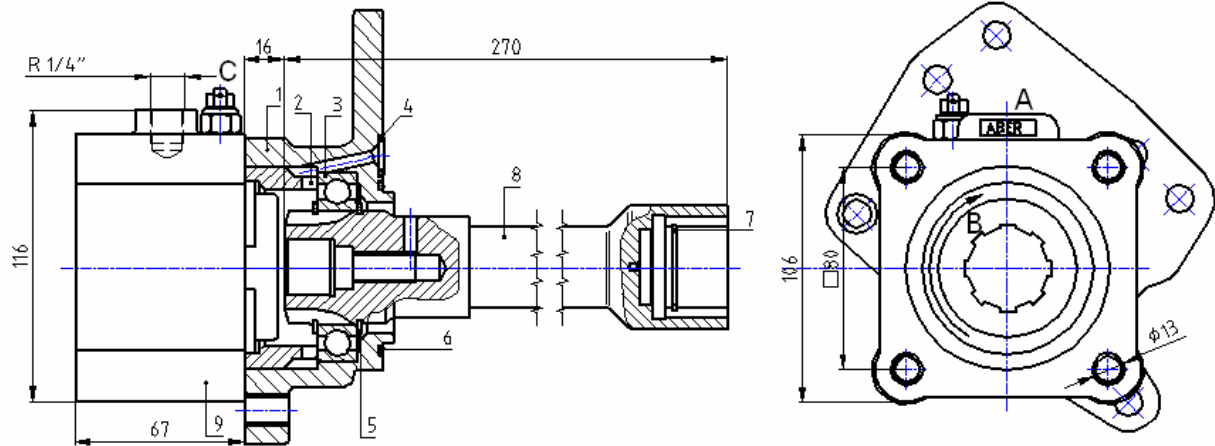
Ref. TF7004SP

EATON

RTS 12316 ; RTS 14316 ; RTS 17316 ; RTSO 12316A ; RTSO 14316A ;
RTSO 17316A IT

To apply with Gear Pumps or with Piston Pumps

Main Dimensions



- A – Air connection
- B – Pump rotation
- C – Option: Electric sensor with mechanical driving Ref. 7004SPS
- 1 – Flange
- 2 – Spacer
- 3 – Bearing
- 4 – O’ring
- 5 – Circlip
- 6 – O’ring
- 7 – Circlip
- 8 – Adapter shaft
- 9 – TF4002SP

Main Data

| | |
|---------------------------------|------------------------|
| Continuous Torque (Nm) | 300 |
| Intermittent Torque (Nm) | 420 |
| Power (at 1000 r.p.m) | 42 C.V. / 32 Kw |
| Mounting Position | Rear |
| Pump Rotation | Left Hand |
| Weight (Kg) | 7 |
| Engine to PTO ratio | |