

Power Take Offs

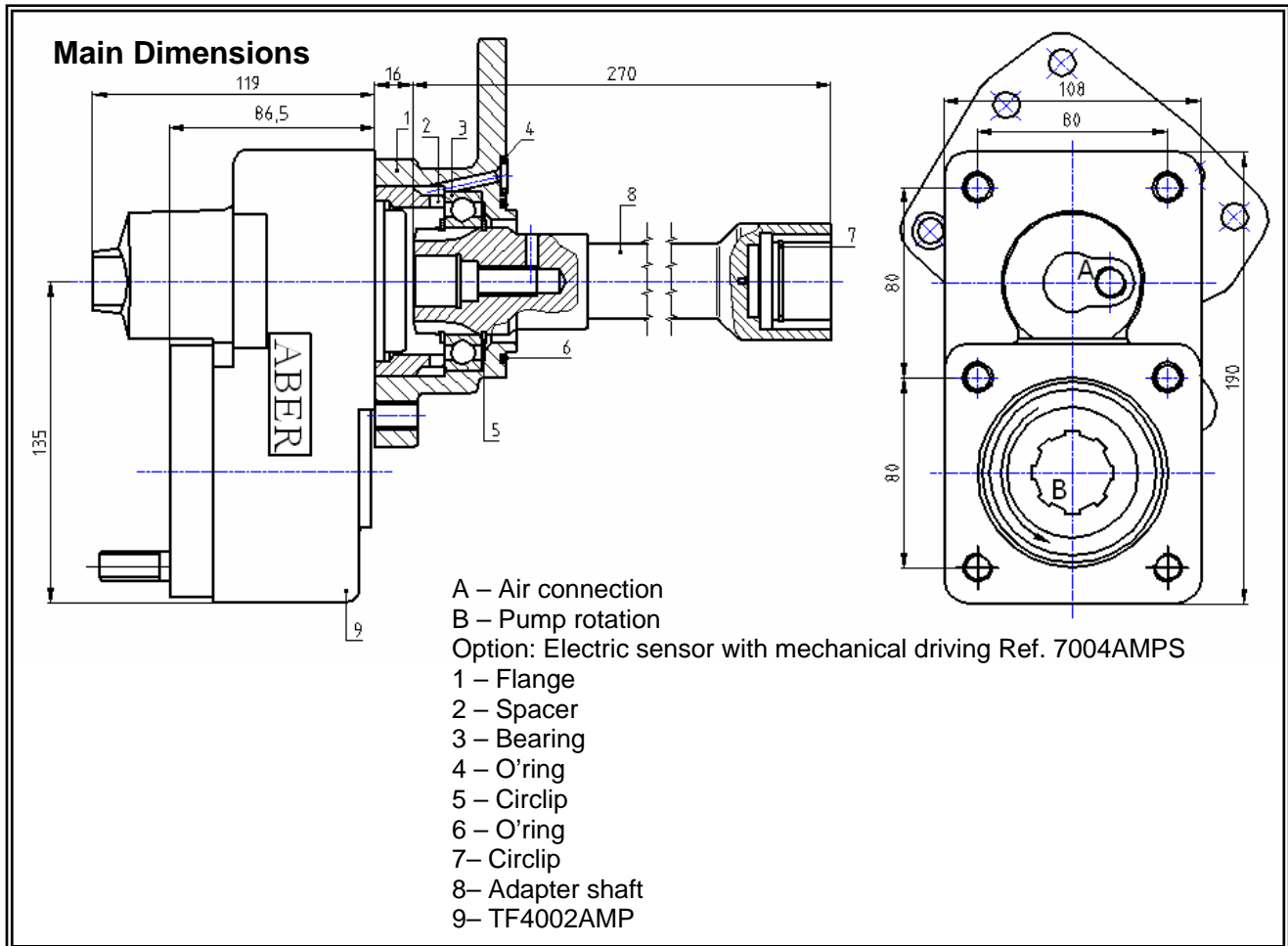
Relation 1: 1.32

Ref. TF7004AMP

EATON

RTS 12316 ; RTS 14316 ; RTS 17316 ; RTSO 12316A ; RTSO 14316A ;
RTSO 17316A IT

To apply with Gear Pumps or with Piston Pumps



Main Data

Continuous Torque (Nm)	300
Intermittent Torque (Nm)	420
Power (at 1000 r.p.m)	42 C.V. / 32 Kw
Mounting Position	Rear
Pump Rotation	Right Hand
Weight (Kg)	10.5
Engine to PTO ratio	