

Power Take Offs

Relation 1: 1.32

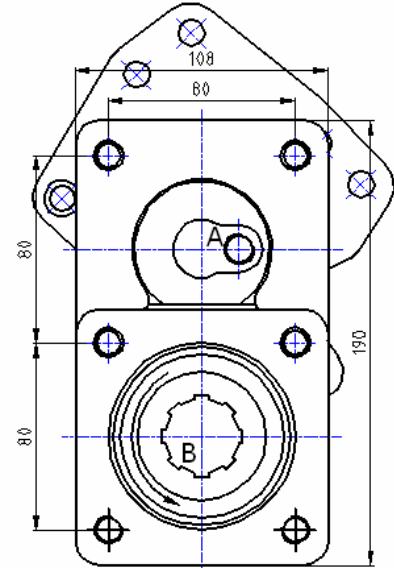
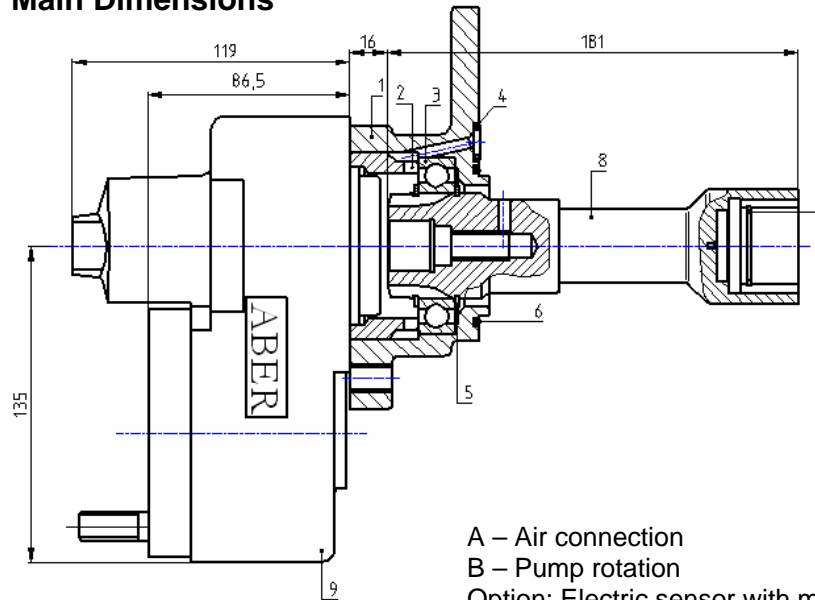
Ref. TF7003AMP

EATON

RTS 12316 ; RTS 14316 ; RTS 17316 ; RTSO 12316A ; RTSO 14316A ;
RTSO 17316A

To apply with Gear Pumps or with Piston Pumps

Main Dimensions



A – Air connection

B – Pump rotation

Option: Electric sensor with mechanical driving Ref. 7003AMPS

1 – Flange

2 – Spacer

3 – Bearing

4 – O'ring

5 – Circlip

6 – O'ring

7 – Circlip

8 – Adapter shaft

9 – TF 4002AMP

Main Data

| | |
|---------------------------------|------------------------|
| Continuous Torque (Nm) | 300 |
| Intermittent Torque (Nm) | 420 |
| Power (at 1000 r.p.m) | 42 C.V. / 32 Kw |
| Mounting Position | Rear |
| Pump Rotation | Right Hand |
| Weight (Kg) | 9.8 |
| Engine to PTO ratio | |