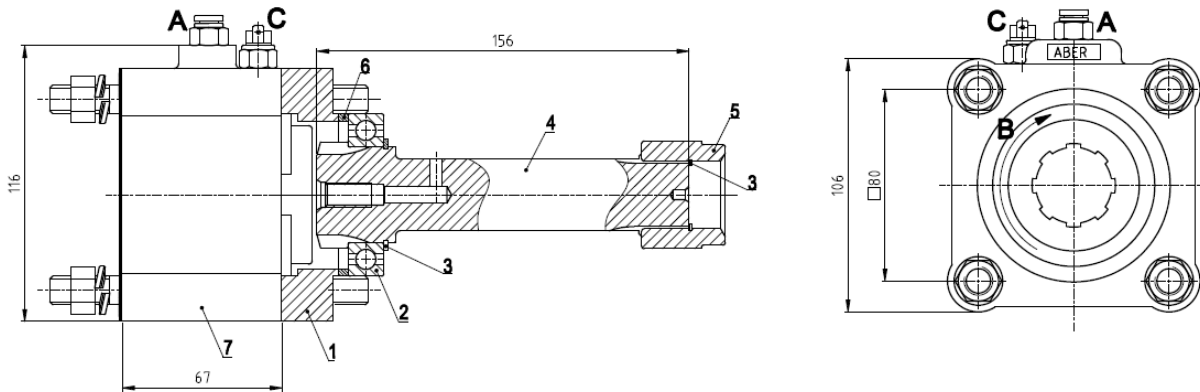




Power Take Offs Relation 1 : 1		Ref. TF7002SP
EATON	FS 5109 ; FSO 5109 ; FS 6109 ; FSO 6109 FS 8209 ; FSO 8209 ; FS 8309 ; FSO 8309	

To apply with Gear Pumps or with Piston Pumps

Main Dimensions



- A – Air connection
- B – Pump rotation
- C – Option: Electric sensor with mechanical driving Ref. TF7002SPS or TF7002SPC
- 1 – Flange
- 2 – Bearing
- 3 – Circlip
- 4 – Adapter shaft VK7002
- 5 – Adapter sleeve
- 6 – Adapter washer
- 7 – TF4002SP

(Dimensions in mm)

Main Data

Continuous Torque (Nm)	300		
Intermittent Torque (Nm)	420		
Power (at 1000 r.p.m)	42 C.V. / 32 Kw		
Mounting Position	Rear		
Pump Rotation	Left Hand		
Weight (Kg)	6,5		
PTO internal ratio	1:1		
Indicative ratio from motor to PTO's output			
5109 DT	- 1 : 0.709	FS 8209 A	- 1 : 0.818
5109 OD	- 1 : 0.937	FSO 8209 A	- 1 : 0.818
6109 DT	- 1 : 0.765	FS 8309 A	- 1 : 0.818
6109 OD	- 1 : 1.024	FSO 8309 A	- 1 : 0.818

CTI TF7002SP 1211- 2

ABER is constantly engaged in improving its products and, therefore, reserves itself the right to modify without any further notice the characteristics shown. The gear boxes are in constant change; therefore, ABER is not to be held responsible for any damage resulting from wrong application or application of outdated material.



ABER - Embraiaçens e Comandos Hidráulicos - A. B. LDA
 Rua Francisco de Almeida, Nº 30 – Vila Nova da Telha – 4470 MAIA - Portugal
 Telephone: +351.22.9438070 Fax: +351.22.9420823 e-mail: aber@aber.pt <http://www.aber.pt>