



Power Take Offs

Relation 1 : 1

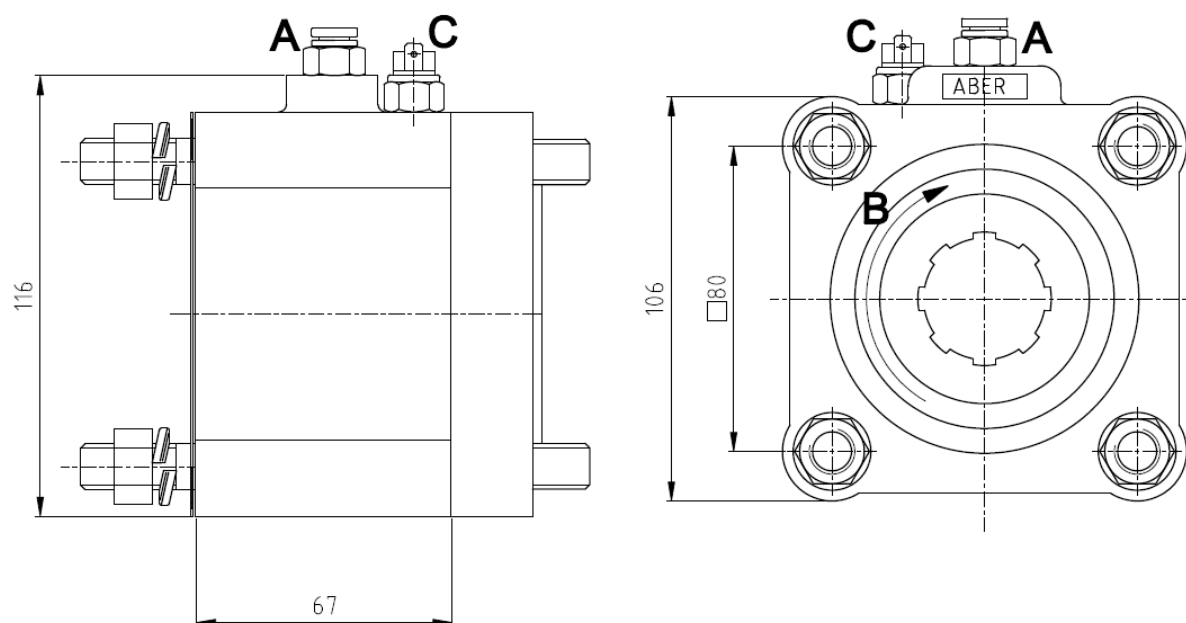
Ref. TF7001SP

EATON

FS 4106 ; FSO 4106 ; FS 5206 ; FSO 5206 ; FS 6106

To apply with Gear Pumps or with Piston Pumps

Main Dimensions



A – Air connection

B – Pump rotation

C – Option: Electric sensor with mechanical driving Ref. TF7001SPS or TF7001SPC

(Dimensions in mm)

Main Data

Continuous Torque (Nm)	300		
Intermittent Torque (Nm)	420		
Power (at 1000 r.p.m)	42 C.V. / 32 Kw		
Mounting Position	Rear		
Pump Rotation	Left Hand		
Weight (Kg)	5		
PTO internal ratio	1:1		
Indicative ratio from motor to PTO's output			
FS 4106 ; FSO 4106 / 7.54	.- 1 : 0.518	FS 6106 / 7.54	.- 1 : 0.518
/ 6.08	.- 1 : 0.643	/ 6.08	.- 1 : 0.643
/ 9.03	.- 1 : 0.433	/ 9.03	.- 1 : 0.433
FS 5206 ; FSO 5206 / 7.54	.- 1 : 0.518		
/ 6.08	.- 1 : 0.643		
/ 9.03	.- 1 : 0.433		