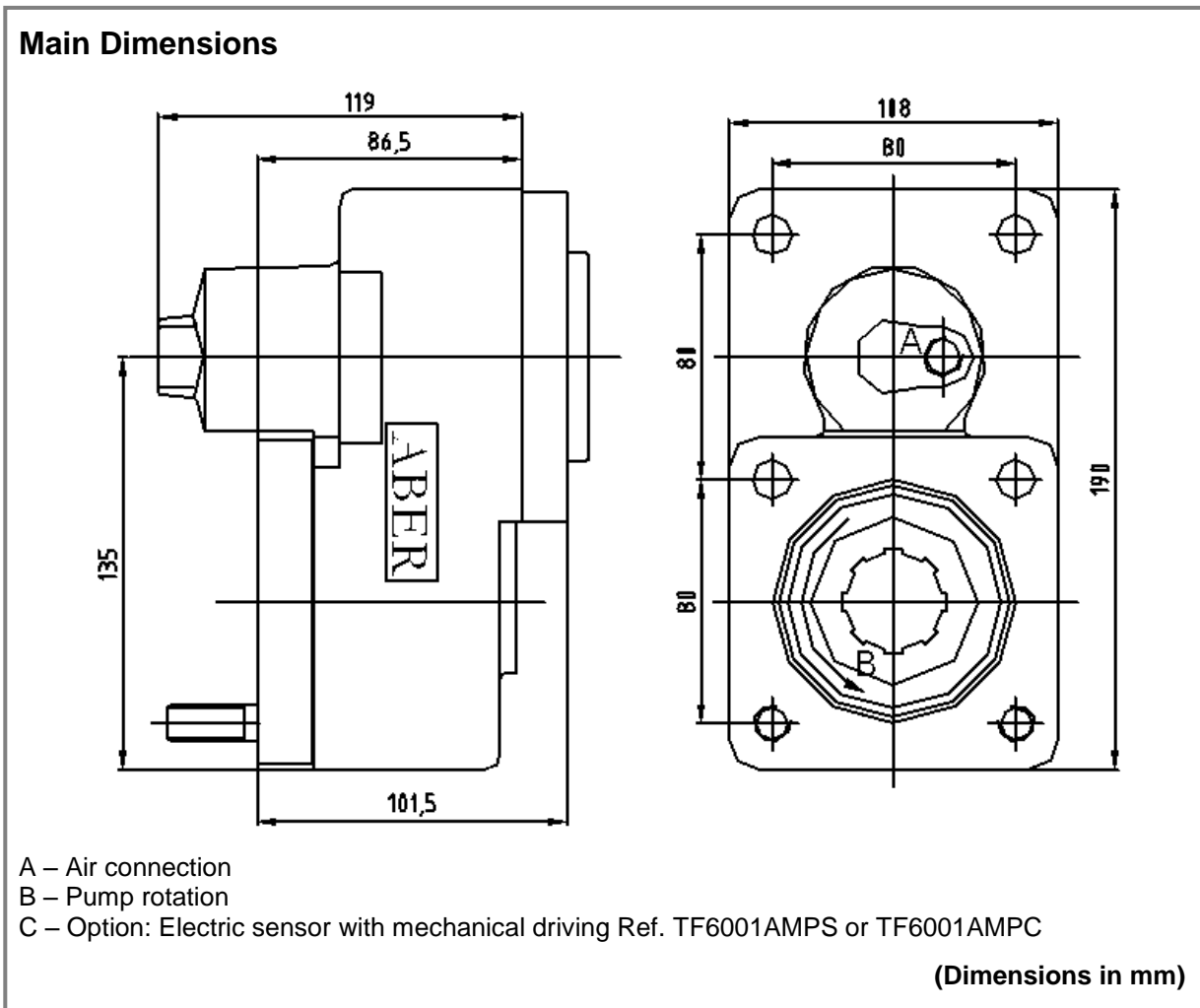




<b>Power Take Offs</b> Relation 1 : 1,32		Ref. TF6001AMP
<b>MAN/VW</b>	007.1	

To apply with Gear Pumps or with Piston Pumps



Main Data	
<b>Continuous Torque (Nm)</b>	<b>300</b>
<b>Intermittent Torque (Nm)</b>	<b>420</b>
<b>Power (at 1000 rpm)</b>	<b>42 cv / 32 kW</b>
<b>Mounting Position</b>	<b>Rear</b>
<b>Pump Rotation</b>	<b>Right Hand</b>
<b>Weight (kg)</b>	<b>7.8</b>
<b>PTO internal ratio</b>	<b>1:1,320</b>
<b>Indicative ratio from motor to PTO´s output</b>	<b>1:0,593</b>

CTI TF6001AMP 1211-2

ABER is constantly engaged in improving its products and, therefore, reserves itself the right to modify without any further notice the characteristics shown. The gear boxes are in constant change; therefore, ABER is not to be held responsible for any damage resulting from wrong application or application of outdated material.



**ABER - Embraiaçgens e Comandos Hidráulicos - A. B. LDA**  
 Rua Francisco de Almeida, Nº 30 – Vila Nova da Telha – 4470 MAIA - Portugal  
 Telephone: +351.22.9438070 Fax: +351.22.9420823 e-mail: [aber@aber.pt](mailto:aber@aber.pt) <http://www.aber.pt>