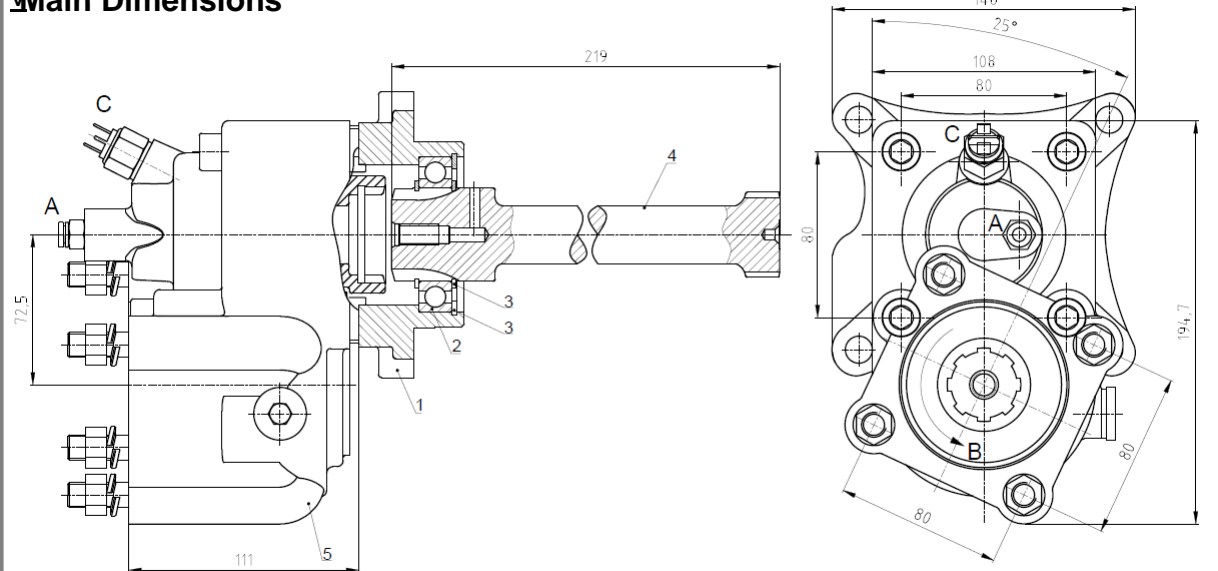




Power Take Offs Relation 1 : 1,35		Ref. TF5019AMP
VOLVO	AT 2412C; AT 2412AT; AT 2512 C; AT 2514; AT 2515C; AT 2812C; ATO 2512C; ATO 3112C	

To apply with Gear Pumps or with Piston Pumps

Main Dimensions



- A – Air connection
- B – Sense of rotation
- C – Option: Electric sensor with mechanical driving Ref. TF5019AMPS or TF5019AMPC
- 1 – Flange
- 2 – Bearing
- 3 – Circlip
- 4 – Adapter shaft VK5006
- 5 – TF4036AMP

(Dimensions in mm)

Main Data

Continuous Torque (Nm)	450	
Intermittent Torque (Nm)	500	
Power (at 1000 rpm)	62 cv / 46 kW	
Mounting Position	Rear	
Pump Rotation	Right Hand	
Weight (kg)	15,3	
PTO internal ratio	1:1,35	
Indicative ratio from motor to PTO's output		
AT 2412C	High: - 1 : 1.188	Normal: - 1 : 0.945

CTI TF5019AMP 1211-2

ABER is constantly engaged in improving its products and, therefore, reserves itself the right to modify without any further notice the characteristics shown. The gear boxes are in constant change; therefore, ABER is not to be held responsible for any damage resulting from wrong application or application of outdated material.



ABER - Embragens e Comandos Hidráulicos - A. B. LDA
 Rua Francisco de Almeida, Nº 30 – Vila Nova da Telha – 4470 MAIA - Portugal
 Telephone: +351.22.9438070 Fax: +351.22.9420823 e-mail: aber@aber.pt <http://www.aber.pt>