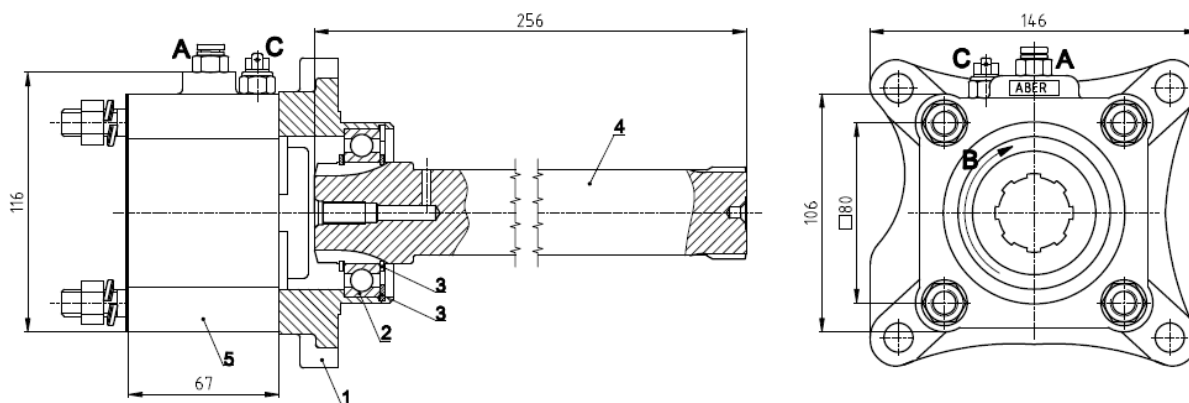




Power Take Offs		Ref. TF5004SP
Relation 1 : 1		
VOLVO	R1000 ; SR1000 ; R1400 ; R1700 ; SR1400 ; SR1700 ; SR1900 ; SR2000 ; SR2400 ; SRO2400 ; VT1708 ; VT2009B ; VT2014B ; VT2214 ; VT2412B ; VT2514B ; VTO2214B ; VTO2514B ; VT2814B ; VTO2814B	

To apply with Gear Pumps or with Piston Pumps

Main Dimensions



- A – Air connection
- B – Pump rotation
- C – Option: Electric sensor with mechanical driving Ref. TF5004SPS or TF5004SPC
- 1 – Flange
- 2 – Bearing
- 3 – Circlip
- 4 – Adapter shaft VK5004
- 5 – TF4002SP

(Dimensions in mm)

Main Data

Continuous Torque (Nm)	300
Intermittent Torque (Nm)	420
Power (at 1000 rpm)	42 cv / 32 kW
Mounting Position	Rear
Pump Rotation	Left Hand
Weight (kg)	8,9
PTO internal ratio	1:1

Indicative ratio from motor to PTO's output		
R 1000 ; R 1400 ; R 1700 ; VT1708 ; VT2009B	.- 1 : 0.700	
SR 1400 ; SR 1700 ; SR 1900 ; VT2014B ; VT2214 ; VT2514B	High: .- 1 : 0.880	Normal: .- 1 : 0.700
SR 2000	High: .- 1 : 0.820	Normal: .- 1 : 1.650
SRO 2400	High: .- 1 : 1.030	Normal: .- 1 : 0.820
VT2412B	High: .- 1 : 0.903	Normal: .- 1 : 0.700
VTO2214B ; VTO2514B	High: .- 1 : 1.094	Normal: .- 1 : 0.880

ABER is constantly engaged in improving its products and, therefore, reserves itself the right to modify without any further notice the characteristics shown. The gear boxes are in constant change; therefore, ABER is not to be held responsible for any damage resulting from wrong application or application of outdated material.



ABER - Embraiaçens e Comandos Hidráulicos - A. B. LDA

Rua Francisco de Almeida, Nº 30 – Vila Nova da Telha – 4470 MAIA - Portugal

Telephone: +351.22.9438070 Fax: +351.22.9420823 e-mail: aber@aber.pt <http://www.aber.pt>