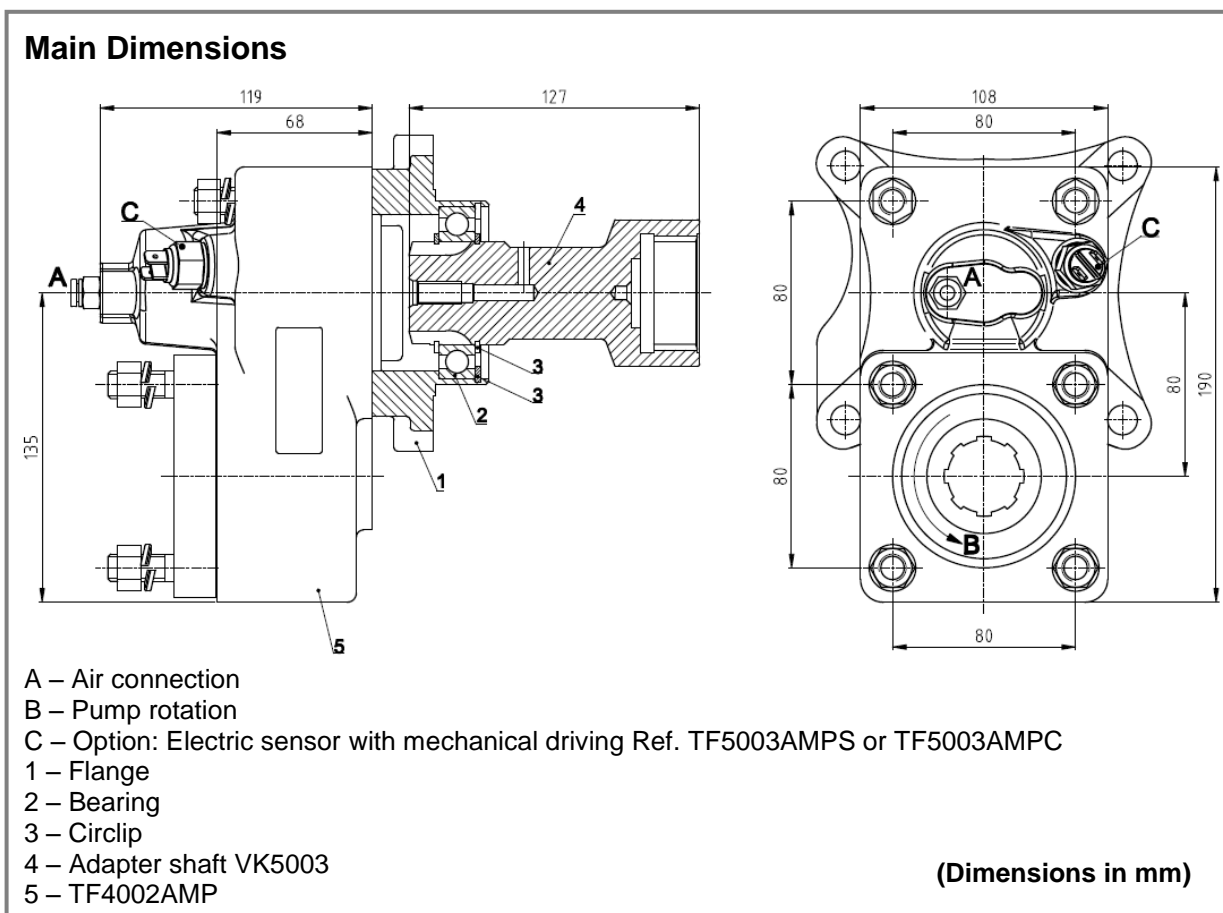




Power Take Offs Relation 1 : 1,32		Ref. TF5003AMP
VOLVO	R70 ; SR70 ; SR71	

To apply with Gear Pumps or with Piston Pumps



Main Data	
Continuous Torque (Nm)	300
Intermittent Torque (Nm)	420
Power (at 1000 rpm)	42 cv / 32 kW
Mounting Position	Rear
Pump Rotation	Right Hand
Weight (kg)	11,5
PTO internal ratio	1:1,32
Indicative ratio from motor to PTO's output	
R70	.- 1 : 1.110
SR70 ; SR71	High: .- 1 : 1.380 Normal: .- 1 : 1.110

CTI TF5003AMP 1211-2

ABER is constantly engaged in improving its products and, therefore, reserves itself the right to modify without any further notice the characteristics shown. The gear boxes are in constant change; therefore, ABER is not to be held responsible for any damage resulting from wrong application or application of outdated material.



ABER - Embraiaçens e Comandos Hidráulicos - A. B. LDA

Rua Francisco de Almeida, Nº 30 – Vila Nova da Telha – 4470 MAIA - Portugal

Telephone: +351.22.9438070 Fax: +351.22.9420823 e-mail: aber@aber.pt <http://www.aber.pt>