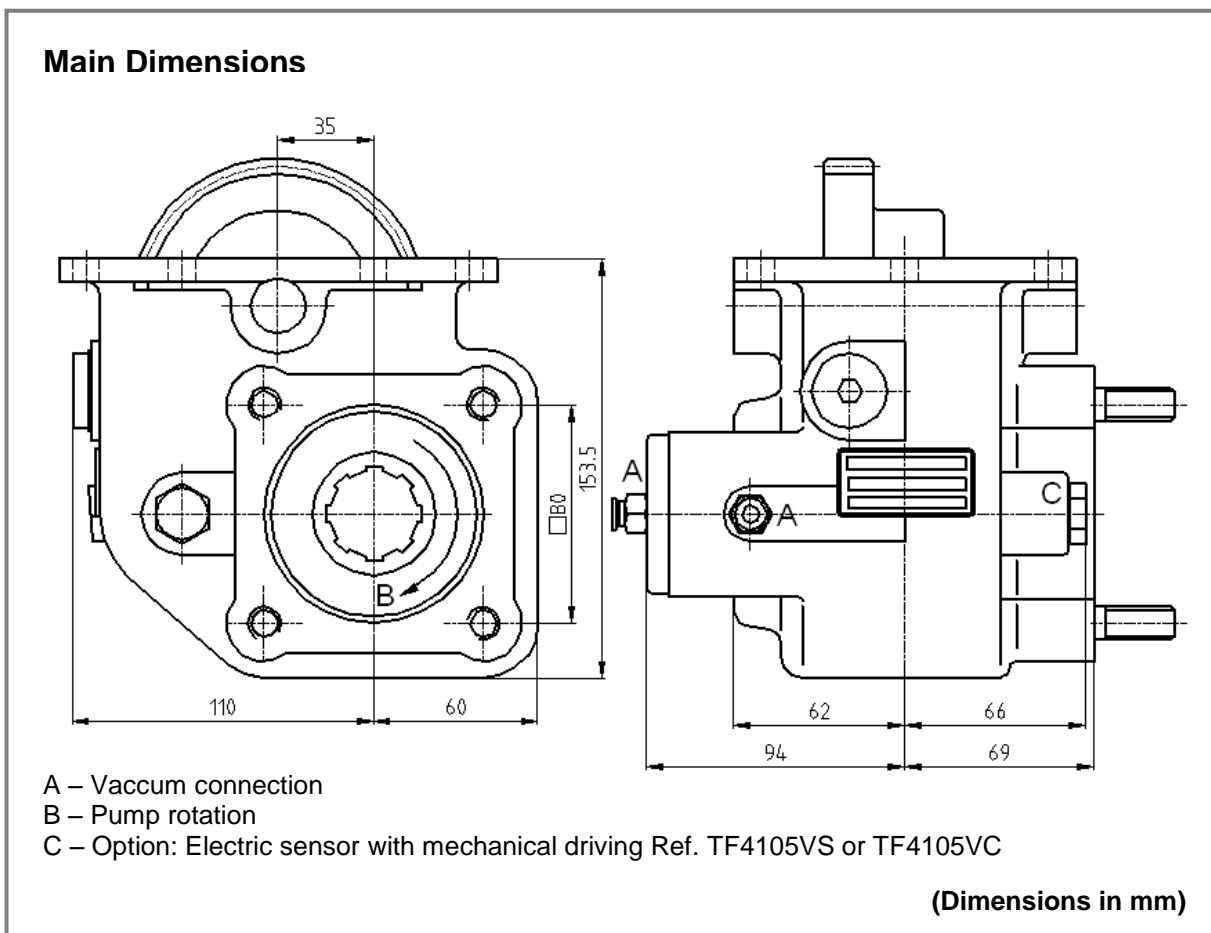




POWER TAKE OFFS		Ref. TF4105V
ZF	6S-420 ; MO37S6 Vacuum Control	

To apply with Gear Pumps or Piston Pumps



Main Data	
Continuous Torque (Nm)	300
Intermittent Torque (Nm)	420
Power (at 1000 rpm)	42 cv / 32 kW
Mounting Position	Left
Pump Rotation	Left Hand
Weight (kg)	12
PTO internal ratio	1:1,391
Indicative ratio from motor to PTO's output	1:1,043

CTI TF4105V 1211- 1

ABER is constantly engaged in improving its products and, therefore, reserves itself the right to modify without any further notice the characteristics shown. The gear boxes are in constant change; therefore, ABER is not to be held responsible for any damage resulting from wrong application or application of outdated material.



ABER - Embraagens e Comandos Hidráulicos - A. B. LDA
 Rua Francisco de Almeida, Nº 30 – Vila Nova da Telha – 4470 MAIA - Portugal
 Telephone: +351.22.9438070 Fax: +351.22.9420823 e-mail: aber@aber.pt <http://www.aber.pt>