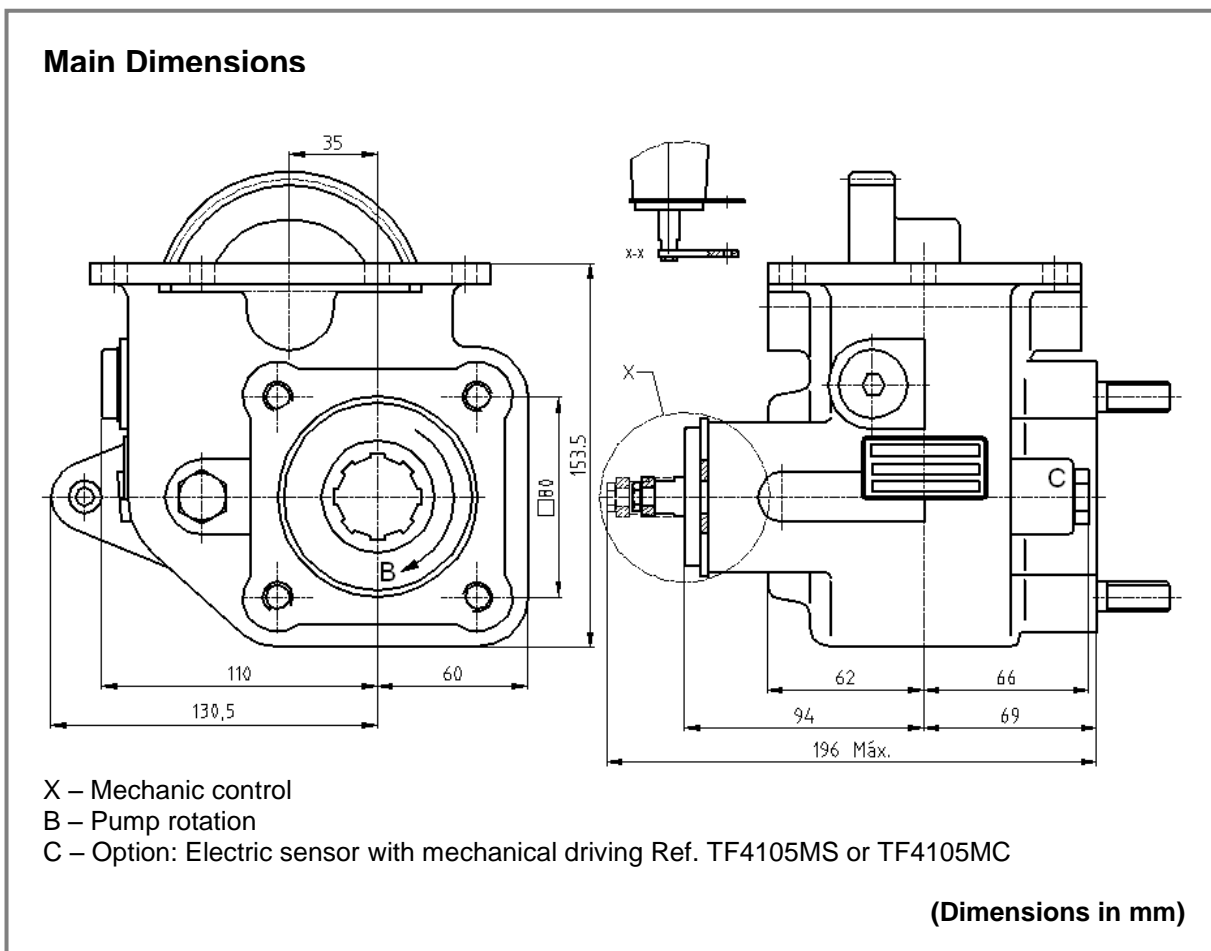




<b>POWER TAKE OFFS</b>		Ref. TF4105M
<b>ZF</b>	6S-420 ; MO37S6 Mechanic Control	

To apply with Gear Pumps or Piston Pumps



Main Data	
<b>Continuous Torque (Nm)</b>	<b>300</b>
<b>Intermittent Torque (Nm)</b>	<b>420</b>
<b>Power (at 1000 rpm)</b>	<b>42 cv / 32 kW</b>
<b>Mounting Position</b>	<b>Left</b>
<b>Pump Rotation</b>	<b>Left Hand</b>
<b>Weight (kg)</b>	<b>12</b>
<b>PTO internal ratio</b>	<b>1:1,391</b>
<b>Indicative ratio from motor to PTO's output</b>	<b>1:1,043</b>

CTI TF4105M 1211- 1

ABER is constantly engaged in improving its products and, therefore, reserves itself the right to modify without any further notice the characteristics shown. The gear boxes are in constant change; therefore, ABER is not to be held responsible for any damage resulting from wrong application or application of outdated material.



**ABER - Embraagens e Comandos Hidráulicos - A. B. LDA**  
 Rua Francisco de Almeida, Nº 30 – Vila Nova da Telha – 4470 MAIA - Portugal  
 Telephone: +351.22.9438070 Fax: +351.22.9420823 e-mail: [aber@aber.pt](mailto:aber@aber.pt) <http://www.aber.pt>