



## Power Take Offs

Relation 1 : 1,73

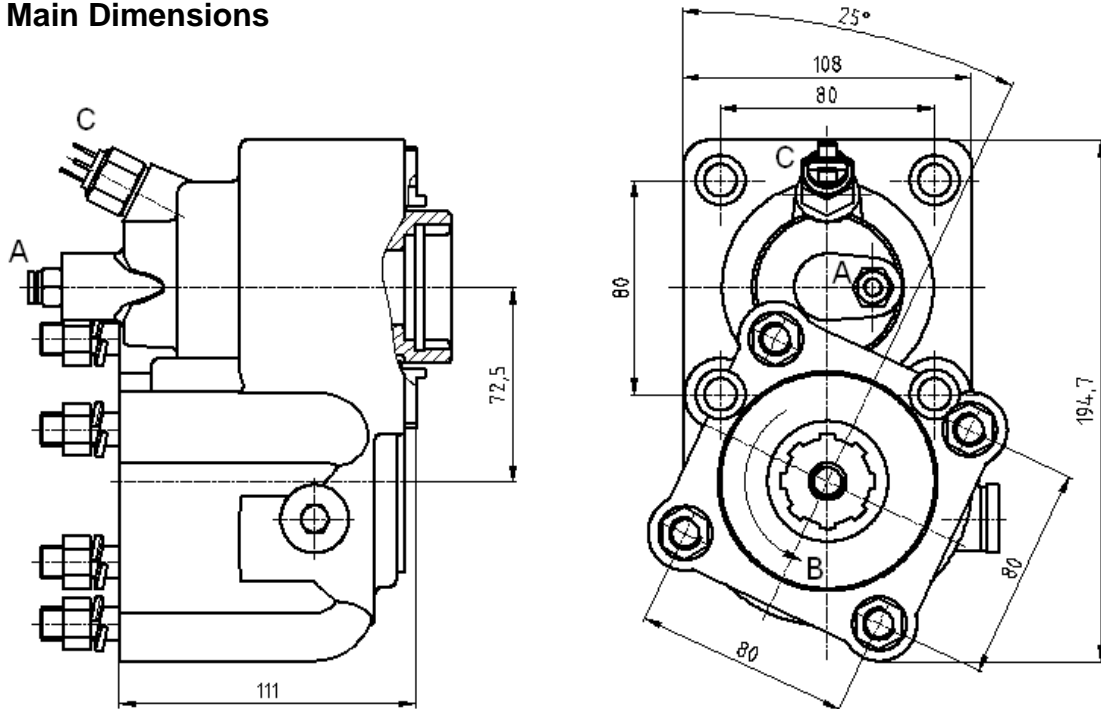
Ref. TF4040AMP

ZF

S6-36 ; 6S-850 ; 6S-700  
REINFORCED

To apply with Gear Pumps or with Piston Pumps

### Main Dimensions



A – Air connection

B – Sense of rotation

C – Option: Electric sensor with mechanical driving Ref. TF4040AMPS or TF4040AMPC

(Dimensions in mm)

### Main Data

<b>Continuous Torque (Nm)</b>	<b>400</b>
<b>Intermittent Torque (Nm)</b>	<b>500</b>
<b>Power (at 1000 rpm)</b>	<b>48 cv / 36 kW</b>
<b>Mounting Position</b>	<b>Rear</b>
<b>Pump Rotation</b>	<b>Right Hand</b>
<b>Weight (kg)</b>	<b>11</b>
<b>PTO internal ratio</b>	<b>1:1,73</b>
<b>Indicative ratio from motor to PTO's output</b>	
6-S-850 / 6.72-0.79	- 1 : 0.917
/ 6.93-0.80	- 1 : 0.882
/ 7.43-1.00	- 1 : 0.830
/ 8.97-1.00	- 1 : 0.694
S6-36 / 6.06	- 1 : 1.009
/ 6.93 - 0.80	- 1 : 0.882
/ 7.43 - 1.00	- 1 : 0.830
/ 8.97 - 1.00	- 1 : 0.694
/ 7.43 - 0.85+GV36	High: 1 : 0.969 Normal: 1 : 0.825
/ 8.97 - 0.83+GV36	High: 1 : 0.825 Normal: 1 : 0.680