



Power Take Offs

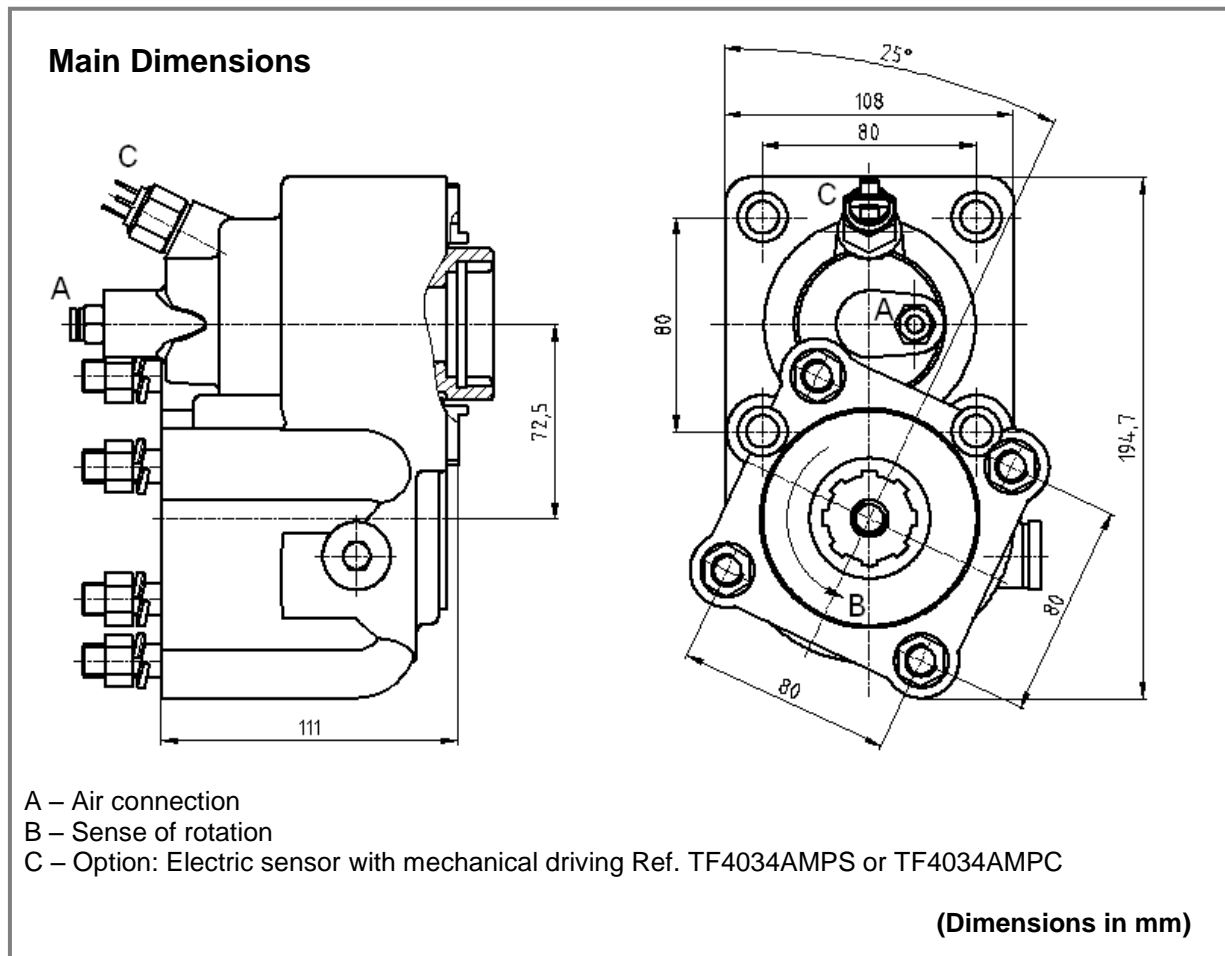
Relation 1 : 1,73

Ref. TF4034AMP

ZF

S5-50 ; S5-90 ; S6-65 ; S6-66 ; S6-70 ; S6-75 ; S6-80 ; S6-90 ;
6S-800 ; 6S-1000 REINFORCED

To apply with Gear Pumps or with Piston Pumps



Main Data

Continuous Torque (Nm)	350
Intermittent Torque (Nm)	450
Power (at 1000 rpm)	48 cv / 36 kW
Mounting Position	Rear
Pump Rotation	Right Hand
Weight (kg)	11
PTO internal ratio	1:1,73
Indicative ratio from motor to PTO's output	
S5-50 / 5.30	.- 1 : 1.130
/ 5.50	.- 1 : 1.064
/ 6.20	.- 1 : 0.943
/ 6.61	.- 1 : 0.882
/ 6.61+GV80 / 5.30	High: .- 1 : 1.102 Normal: .- 1 : 0.882
/ 8.02	.- 1 : 0.730
/ 8.02+GV80 / 6.20	High: .-1 : 0.943 Normal: .- 1 : 0.728



Power Take Offs		Ref. TF4034AMP
Relation 1 : 1,73		
ZF	S5-50 ; S5-90 ; S6-65 ; S6-66 ; S6-70 ; S6-75 ; S6-80 ; S6-90 ; 6S-800 ; 6S-1000 REINFORCED	

Engine to PTO ratio

S5-90 GPA	- 1 : 1.540		
S6-65 / 6.37	- 1 : 1.125		
/ 6.70	- 1 : 1.073		
/ 7.00+GV70 / 7.67	High: - 1 : 0.789	Normal: - 1 : 0.631	
/ 7.40	- 1 : 0.972		
/ 7.52	- 1 : 0.960		
/ 9.00	- 1 : 0.799		
/ 7.97+GV80 / 6.70	High: - 1 : 1.073	Normal: - 1 : 0.908	
/ 9.00+GV80 / 6.70	High: - 1 : 1.073	Normal: - 1 : 0.799	
/ 9.00+GV80 / 7.52	High: - 1 : 0.958	Normal: - 1 : 0.799	
S6-66 / 7.36-1.0	- 1 : 0.903		
/ 9.06-1.0	- 1 : 0.720		
S6-70 / 6.80	- 1 : 0.889		
/ 6.80+GV70 / 5.71	High: - 1 : 1.059	Normal: - 1 : 0.889	
/ 7.36	- 1 : 0.827		
/ 7.92	- 1 : 0.763		
/ 9.03	- 1 : 0.670		
/ 9.59	- 1 : 0.631		
S6-75 / 6.70+GV80 / 7.52	Normal: - 1 : 1.073	Low: - 1 : 0.958	
S6-80 / 5.03	- 1 : 1.349		
/ 5.66	- 1 : 1.280		
/ 5.66+GV80 / 7.52	High: - 1 : 1.277	Normal: - 1 : 0.962	
/ 6.10	- 1 : 1.190		
/ 6.70	- 1 : 1.073		
/ 6.70+GV80 / 5.30	High: - 1 : 1.362	Normal: - 1 : 1.073	
/ 6.90	- 1 : 0.891		
/ 7.35	- 1 : 0.955		
/ 7.41	- 1 : 0.974		
/ 7.53	- 1 : 0.960		
/ 7.67	- 1 : 0.934		
/ 7.67+GV80 / 6.70	High: - 1 : 1.076	Normal: - 1 : 0.939	
/ 7.90	- 1 : 0.908		
/ 9.00	- 1 : 0.796		
/ 9.00+GV80 / 5.30	High: - 1 : 1.362	Normal: - 1 : 0.799	
/ 9.00+GV80 / 7.48	High: - 1 : 0.972	Normal: - 1 : 0.799	
/ 9.00+GV80 / 7.52	High: - 1 : 0.958	Normal: - 1 : 0.799	
S6-90 / 5.67	- 1 : 1.298		
/ 5.74	- 1 : 1.280		
/ 6.37	- 1 : 1.280		
/ 6.98	- 1 : 1.059		
/ 7.03	- 1 : 1.043		
/ 7.03+GV90 / 5.67	High: - 1 : 1.298	Normal: - 1 : 1.043	
/ 7.03+GV90 / 5.74	High: - 1 : 1.272	Normal: - 1 : 1.038	
/ 7.40	- 1 : 0.995		
/ 9.01	- 1 : 0.813		
/ 9.01+GV90 / 7.40	High: - 1 : 0.991	Normal: - 1 : 0.815	