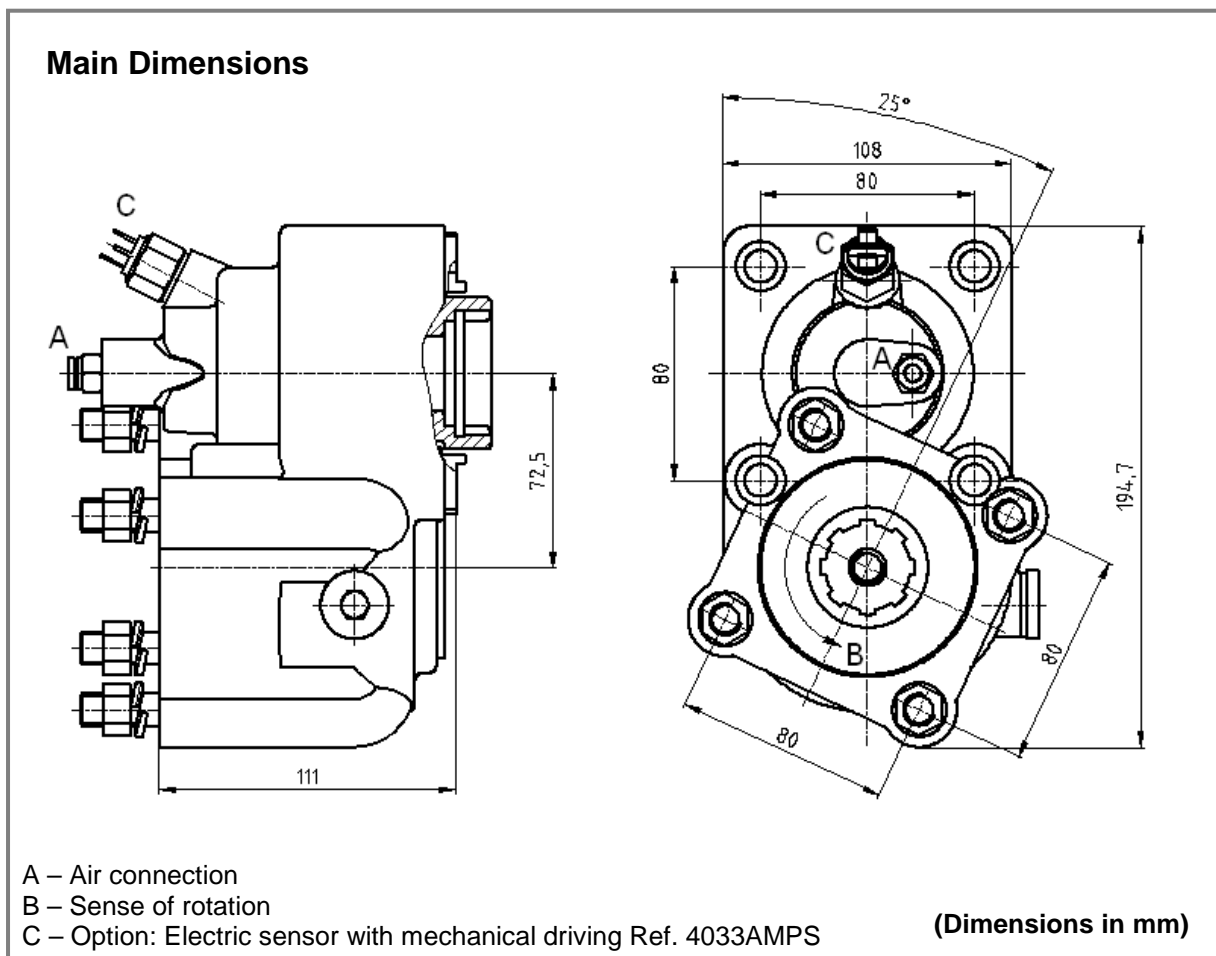




Power Take Offs		Ref. TF4033AMP
Relation 1 : 1		
ZF	S5-50 ; S5-90 ; S6-65 ; S6-66 ; S6-70 ; S6-75 ; S6-80 ; S6-90 ; 6S-800 ; 6S-1000 REINFORCED	

To apply with Gear Pumps or with Piston Pumps



Main Data	
Continuous Torque (Nm)	500
Intermittent Torque (Nm)	550
Power (at 1000 r.p.m)	69 C.V. / 51 Kw
Mounting Position	Rear
Pump Rotation	Right Hand
Weight (Kg)	11
Engine to PTO ratio	
S5-50 / 5.30	.- 1 : 0.653
/ 5.50	.- 1 : 0.615
/ 6.20	.- 1 : 0.545
/ 6.61	.- 1 : 0.510
/ 6.61+GV80 / 5.30	High: .- 1 : 0.637 Normal: .- 1 : 0.510
/ 8.02	.- 1 : 0.422
/ 8.02+GV80 / 6.20	High: .-1 : 0.545 Normal: .- 1 : 0.421



Power Take Offs		Ref. TF4033AMP
Relation 1 : 1		
ZF	S5-50 ; S5-90 ; S6-65 ; S6-66 ; S6-70 ; S6-75 ; S6-80 ; S6-90 ; 6S-800 ; 6S-1000 REINFORCED	

Engine to PTO ratio		
S5-90 GPA	- 1 : 0.890	
S6-65 / 6.37	- 1 : 0.650	
/ 6.70	- 1 : 0.620	
/ 7.00+GV70 / 7.67	High: - 1 : 0.456	Normal: - 1 : 0.365
/ 7.40	- 1 : 0.562	
/ 7.52	- 1 : 0.555	
/ 9.00	- 1 : 0.462	
/ 7.97+GV80 / 6.70	High: - 1 : 0.620	Normal: - 1 : 0.525
/ 9.00+GV80 / 6.70	High: - 1 : 0.620	Normal: - 1 : 0.462
/ 9.00+GV80 / 7.52	High: - 1 : 0.554	Normal: - 1 : 0.462
S6-66 / 7.36-1.0	- 1 : 0.522	
/ 9.06-1.0	- 1 : 0.416	
S6-70 / 6.80	- 1 : 0.514	
/ 6.80+GV70 / 5.71	High: - 1 : 0.612	Normal: - 1 : 0.514
/ 7.36	- 1 : 0.478	
/ 7.92	- 1 : 0.441	
/ 9.03	- 1 : 0.387	
/ 9.59	- 1 : 0.365	
S6-75 / 6.70+GV80 / 7.52	Normal: - 1 : 0.620	Low: - 1 : 0.554
S6-80 / 5.03	- 1 : 0.780	
/ 5.66	- 1 : 0.740	
/ 5.66+GV80 / 7.52	High: - 1 : 0.738	Normal: - 1 : 0.556
/ 6.10	- 1 : 0.688	
/ 6.70	- 1 : 0.620	
/ 6.70+GV80 / 5.30	High: - 1 : 0.787	Normal: - 1 : 0.620
/ 6.90	- 1 : 0.515	
/ 7.35	- 1 : 0.552	
/ 7.41	- 1 : 0.563	
/ 7.53	- 1 : 0.555	
/ 7.67	- 1 : 0.540	
/ 7.67+GV80 / 6.70	High: - 1 : 0.622	Normal: - 1 : 0.543
/ 7.90	- 1 : 0.525	
/ 9.00	- 1 : 0.460	
/ 9.00+GV80 / 5.30	High: - 1 : 0.787	Normal: - 1 : 0.462
/ 9.00+GV80 / 7.48	High: - 1 : 0.562	Normal: - 1 : 0.462
/ 9.00+GV80 / 7.52	High: - 1 : 0.554	Normal: - 1 : 0.462
S6-90 / 5.67	- 1 : 0.750	
/ 5.74	- 1 : 0.740	
/ 6.37	- 1 : 0.740	
/ 6.98	- 1 : 0.612	
/ 7.03	- 1 : 0.603	
/ 7.03+GV90 / 5.67	High: - 1 : 0.750	Normal: - 1 : 0.603
/ 7.03+GV90 / 5.74	High: - 1 : 0.735	Normal: - 1 : 0.600
/ 7.40	- 1 : 0.575	
/ 9.01	- 1 : 0.470	
/ 9.01+GV90 / 7.40	High: - 1 : 0.573	Normal: - 1 : 0.471
S5-90 GPA	- 1 : 0.890	