



## POWER TAKE OFFS

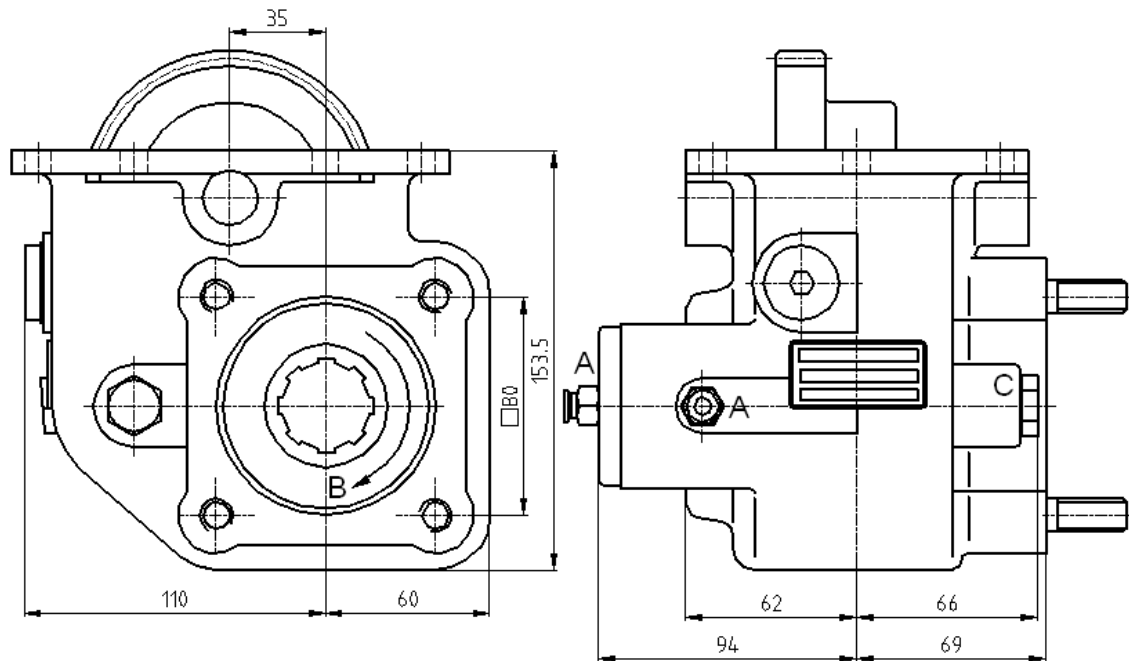
Ref. TF4032V

ZF

6S-380 ; 6S-400 ; 2840.6 Vacuum Control

To apply with Gear Pumps or Piston Pumps

### Main Dimensions



A – Vacuum connection

B – Pump rotation

C – Option: Electric sensor with mechanical driving Ref. TF4032VS or TF4032VC

(Dimensions in mm)

### Main Data

Continuous Torque (Nm)	300
Intermittent Torque (Nm)	420
Power (at 1000 rpm)	42 cv / 32 kW
Mounting Position	Left
Pump Rotation	Left Hand
Weight (kg)	12
PTO internal ratio	1:1,55
Indicative ratio from motor to PTO's output	1:1