



Power Take Offs

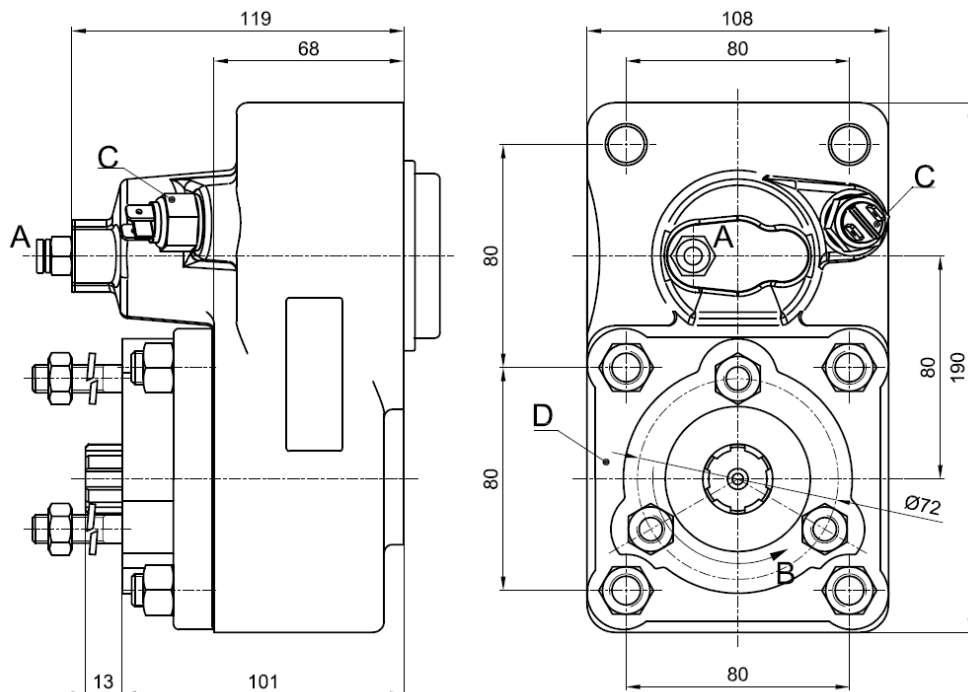
Relation 1 : 1,32

Ref. TF4002UNI

ZF

S5-50 ; S5-90 ; S6-65 ; S6-66 ; S6-70 ; S6-75 ; S6-80 ; S6-90 ;
6S-800 ; 6S-1000

Main Dimensions



A – Air connection

B – Sense of rotation

C – Option: Electric sensor with mechanical driving Ref. TF4002UNIS or TF4002UNIC

D – It can be positioned on 4 different ways

(Dimensions in mm)

Main Data

| | |
|--|----------------------|
| Continuous Torque (Nm) | 300 |
| Intermittent Torque (Nm) | 380 |
| Power (at 1000 rpm) | 40 cv / 30 kW |
| Mounting Position | Rear |
| Pump Rotation | Right Hand |
| Weight (kg) | 11 |
| PTO internal ratio | 1:1,32 |
| Indicative ratio from motor to PTO's output | |

| | | |
|--------------------|--------------------|----------------------|
| S5-50 / 5.30 | .- 1 : 0.861 | |
| / 5.50 | .- 1 : 0.811 | |
| / 6.20 | .- 1 : 0.719 | |
| / 6.61 | .- 1 : 0.674 | |
| / 6.61+GV80 / 5.30 | High: .- 1 : 0.842 | Normal: .- 1 : 0.674 |
| / 8.02 | .- 1 : 0.557 | |
| / 8.02+GV80 / 6.20 | High: .- 1 : 0.719 | Normal: .- 1 : 0.557 |



| | | |
|------------------------|---|----------------|
| Power Take Offs | | Ref. TF4002UNI |
| Relation 1 : 1,32 | | |
| ZF | S5-50 ; S5-90 ; S6-65 ; S6-66 ; S6-70 ; S6-75 ; S6-80 ; S6-90 ; 6S-800 ; 6S-1000 | |

| Engine to PTO ratio | | |
|----------------------------|---------------------|---------------------|
| S5-90 GPA | - 1 : 1.174 | |
| S6-65 / 6.37 | - 1 : 0.860 | |
| / 6.70 | - 1 : 0.820 | |
| / 7.00+GV70 / 7.67 | High: - 1 : 0.602 | Normal: - 1 : 0.482 |
| / 7.40 | - 1 : 0.741 | |
| / 7.52 | - 1 : 0.732 | |
| / 9.00 | - 1 : 0.610 | |
| / 7.97+GV80 / 6.70 | High: - 1 : 0.819 | Normal: - 1 : 0.694 |
| / 9.00+GV80 / 6.70 | High: - 1 : 0.819 | Normal: - 1 : 0.611 |
| / 9.00+GV80 / 7.52 | High: - 1 : 0.732 | Normal: - 1 : 0.611 |
| S6-66 / 7.36-1.0 | - 1 : 0.690 | |
| / 9.06-1.0 | - 1 : 0.550 | |
| S6-70 / 6.80 | - 1 : 0.679 | |
| / 6.80+GV70 / 5.71 | High: - 1 : 0.808 | Normal: - 1 : 0.679 |
| / 7.36 | - 1 : 0.630 | |
| / 7.92 | - 1 : 0.582 | |
| / 9.03 | - 1 : 0.511 | |
| / 9.59 | - 1 : 0.482 | |
| S6-75 / 6.70+GV80 / 7.52 | Normal: - 1 : 0.819 | Low: - 1 : 0.732 |
| S6-80 / 5.03 | - 1 : 1.029 | |
| / 5.66 | - 1 : 0.980 | |
| / 5.66+GV80 / 7.52 | High: - 1 : 0.974 | Normal: - 1 : 0.733 |
| / 6.10 | - 1 : 0.908 | |
| / 6.70 | - 1 : 0.820 | |
| / 6.70+GV80 / 5.30 | High: - 1 : 1.039 | Normal: - 1 : 0.819 |
| / 6.90 | - 1 : 0.679 | |
| / 7.35 | - 1 : 0.728 | |
| / 7.41 | - 1 : 0.743 | |
| / 7.53 | - 1 : 0.732 | |
| / 7.67 | - 1 : 0.710 | |
| / 7.67+GV80 / 6.70 | High: - 1 : 0.821 | Normal: - 1 : 0.716 |
| / 7.90 | - 1 : 0.693 | |
| / 9.00 | - 1 : 0.610 | |
| / 9.00+GV80 / 5.30 | High: - 1 : 1.039 | Normal: - 1 : 0.611 |
| / 9.00+GV80 / 7.48 | High: - 1 : 0.743 | Normal: - 1 : 0.611 |
| / 9.00+GV80 / 7.52 | High: - 1 : 0.732 | Normal: - 1 : 0.611 |
| S6-90 / 5.67 | - 1 : 0.990 | |
| / 5.74 | - 1 : 0.980 | |
| / 6.37 | - 1 : 0.980 | |
| / 6.98 | - 1 : 0.807 | |
| / 7.03 | - 1 : 0.796 | |
| / 7.03+GV90 / 5.67 | High: - 1 : 0.989 | Normal: - 1 : 0.796 |
| / 7.03+GV90 / 5.74 | High: - 1 : 0.970 | Normal: - 1 : 0.790 |
| / 7.40 | - 1 : 0.759 | |
| / 9.01 | - 1 : 0.620 | |
| / 9.01+GV90 / 7.40 | High: - 1 : 0.757 | Normal: - 1 : 0.622 |