



Power Take Offs

Relation 1 : 1,32

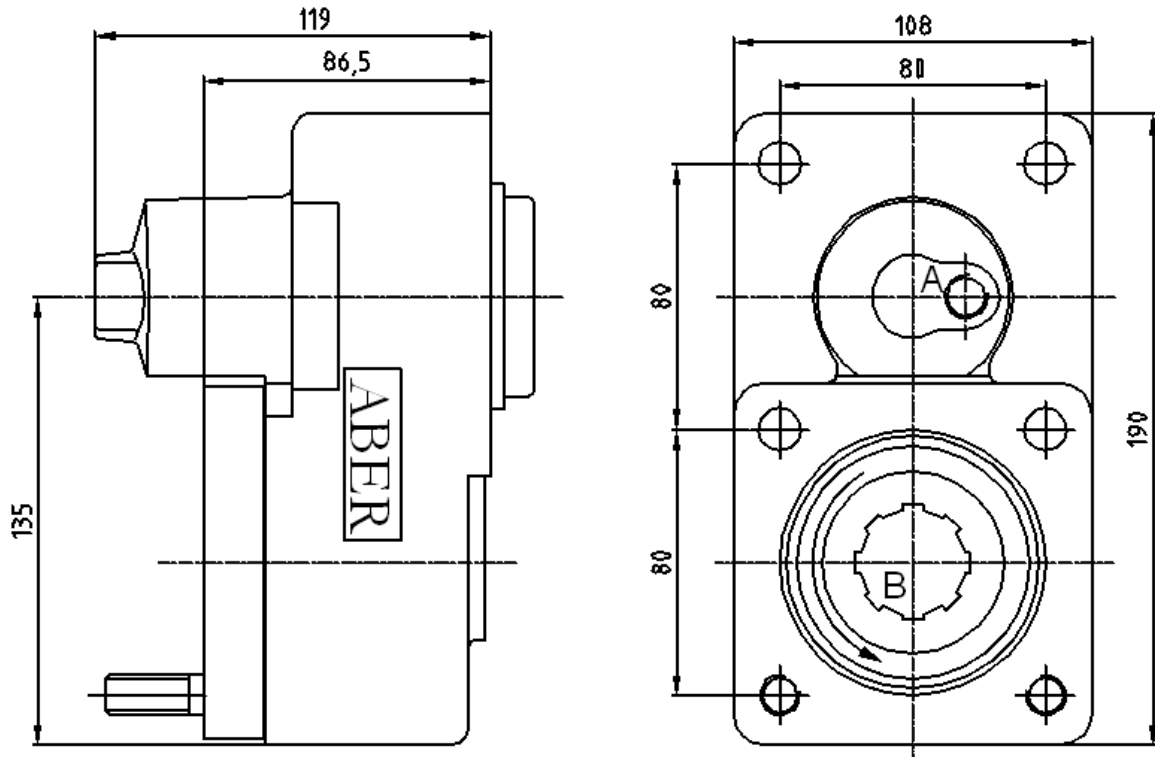
Ref. TF4001AMP

ZF

S5-35

To apply with Gear Pumps or with Piston Pumps

Main Dimensions



A – Air connection

B – Pump rotation

Option: Electric sensor with mechanical driving Ref. TF4002AMPS or TF4002AMPC

(Dimensions in mm)

Main Data

Continuous Torque (Nm)	300
Intermittent Torque (Nm)	420
Power (at 1000 rpm)	42 cv / 32 kW
Mounting Position	Rear
Pump Rotation	Right Hand
Weight (kg)	7,5
PTO internal ratio	1:1,32
Indicative ratio from motor to PTO's output	
S5-35 / 5.64	- 1 : 0.828
/ 6.45	- 1 : 0.726
/ 6.75	- 1 : 0.693
/ 6.79	- 1 : 0.879
/ 7.65	- 1 : 0.609
/ 8.02	- 1 : 0.580