



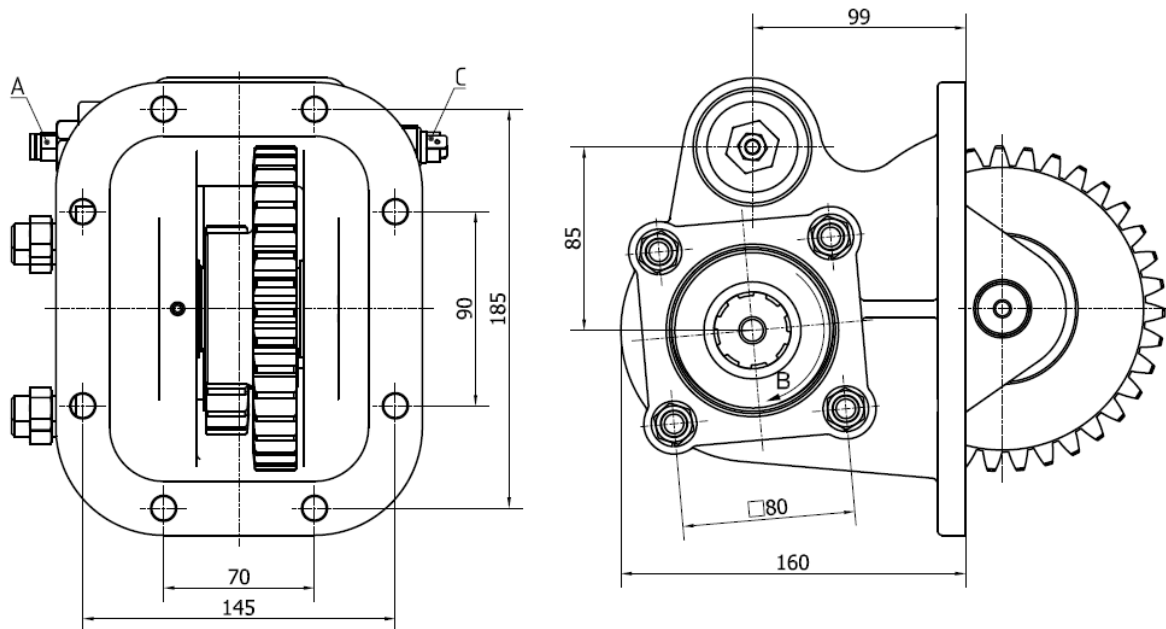
## Power Take Offs

Ref. TF3013P

ISUZU

MAG 6G ; MAG 6W ; MAL 5T ; MAL 6Q ; MAL 6S ; MAJ 7T ; MAJ 7U  
Pneumatic control

### Main Dimensions



A – Air connection

B – Pump rotation

C – Option: Electric sensor with mechanical driving Ref. TF3013PS or TF3013PC

(Dimensions in mm)

### Main Data

Continuous Torque (Nm)	280
Intermittent Torque (Nm)	320
Power (at 1000 r.p.m)	21 C.V. / 15,5 Kw
Mounting Position	Left
Pump Rotation	Left Hand
Weight (Kg)	15.2
PTO internal ratio	1:1,667
Indicative ratio from motor to PTO's output	1:1,571