



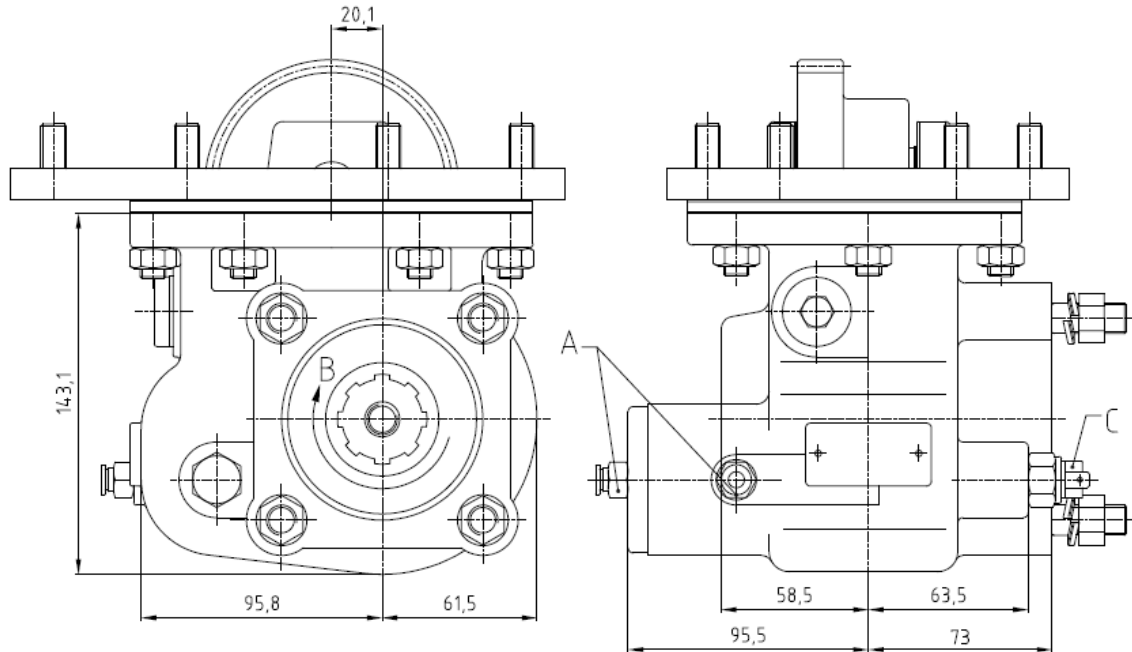
Power Take Offs

Ref. TF3012V

ISUZU

MBP 6R Vacuum Control

Main Dimensions



A – Vacuum connection

B – Pump rotation

C – Option: Electric sensor with mechanical driving Ref.TF3012PS or TF3012PC

(Dimensions in mm)

Main Data

Continuous Torque (Nm)	300
Intermittent Torque (Nm)	420
Power (at 1000 r.p.m)	42 C.V. / 32 Kw
Mounting Position	Left
Pump Rotation	Left Hand
Weight (Kg)	13.8
PTO internal ratio	1:1,13
Indicative ratio from motor to PTO's output	