



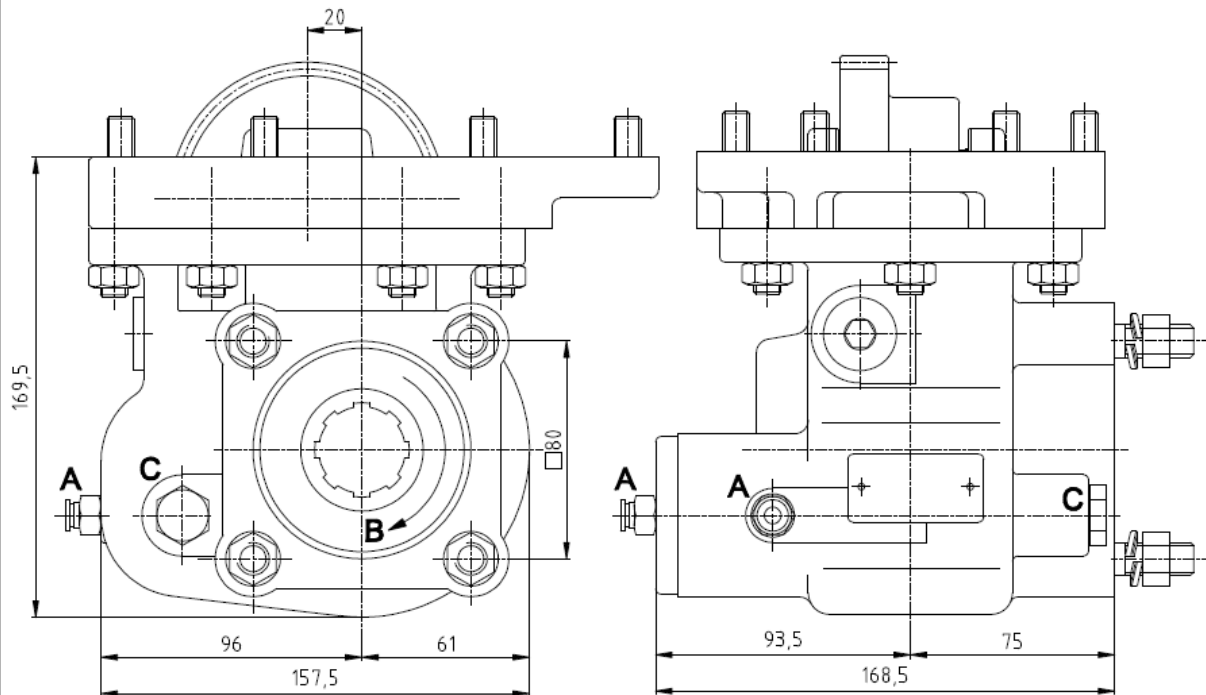
## Power Take Offs

Ref. TF3009V

ISUZU

MZZ-6U Vacuum control

### Main Dimensions



A – Vacuum connection

B – Pump rotation

C – Option: Electric sensor with mechanical driving Ref. TF3009VS or TF3009VC

(Dimensions in mm)

### Main Data

Continuous Torque (Nm)	300
Intermittent Torque (Nm)	420
Power (at 1000 r.p.m)	42 C.V. / 32 Kw
Mounting Position	Left
Pump Rotation	Left Hand
Weight (Kg)	12.5
PTO internal ratio	1:1,07
Indicative ratio from motor to PTO's output	1:0,75