



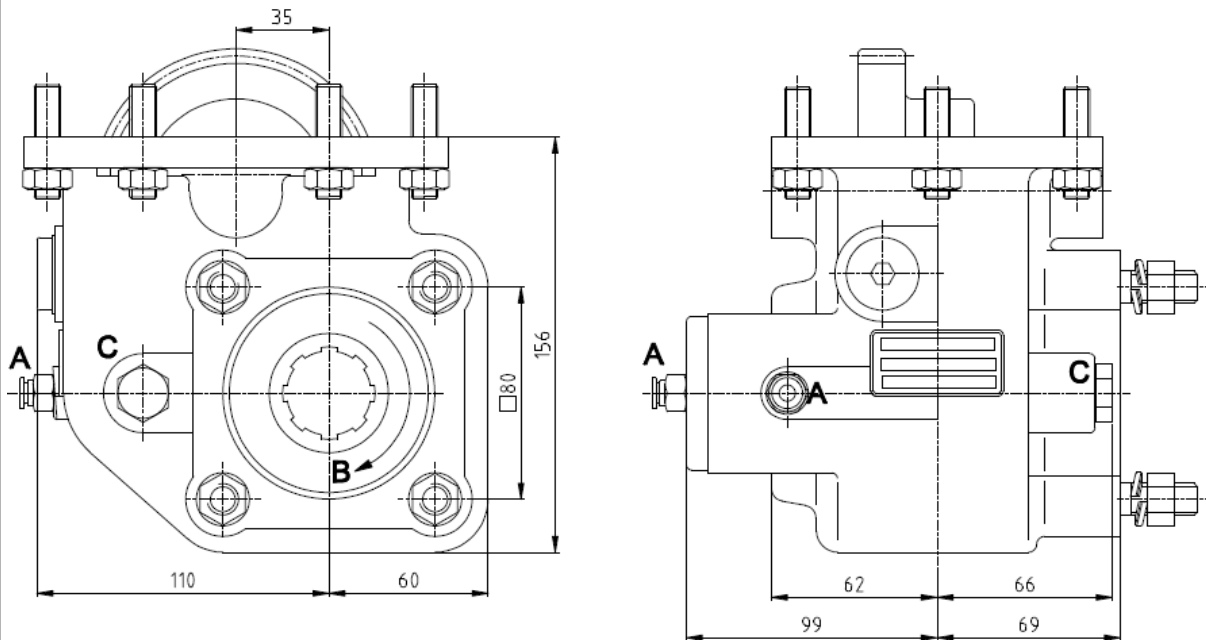
Power Take Offs

Ref. TF3008V

ISUZU

MYY – 5T ; MYY – 6S Vacuum control

Main Dimensions



A – Vacuum connection

B – Pump rotation

C – Option: Electric sensor with mechanical driving Ref. TF3008VS or TF3008VC

(Dimensions in mm)

Main Data

Continuous Torque (Nm)	300
Intermittent Torque (Nm)	420
Power (at 1000 r.p.m)	42 C.V. / 32 Kw
Mounting Position	Left
Pump Rotation	Left Hand
Weight (Kg)	11
PTO internal ratio	1:1
Indicative ratio from motor to PTO's output	1:0,7