



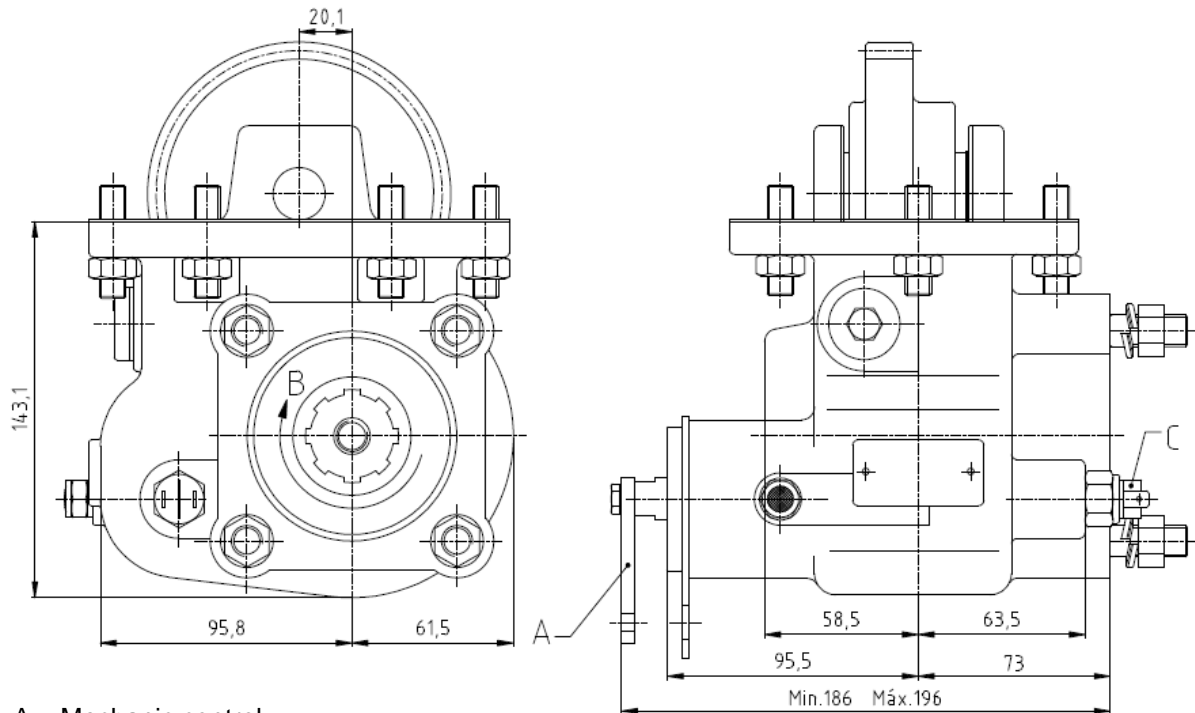
## Power Take Offs

Ref. TF3004M

**ISUZU**

MSA 5D ; MSA 5S ; MXA 5R ; MXA 6R ; MXA 6S Mechanic Control

### Main Dimensions



A – Mechanic control

B – Pump rotation

C – Option: Electric sensor with mechanical driving Ref. TF3004MS or TF3004MC

**(Dimensions in mm)**

### Main Data

<b>Continuous Torque (Nm)</b>	<b>300</b>
<b>Intermittent Torque (Nm)</b>	<b>420</b>
<b>Power (at 1000 r.p.m)</b>	<b>42 C.V. / 32 Kw</b>
<b>Mounting Position</b>	<b>Left</b>
<b>Pump Rotation</b>	<b>Left Hand</b>
<b>Weight (Kg)</b>	<b>11.5</b>
<b>PTO internal ratio</b>	<b>1:1,19</b>
<b>Indicative ratio from motor to PTO's output</b>	