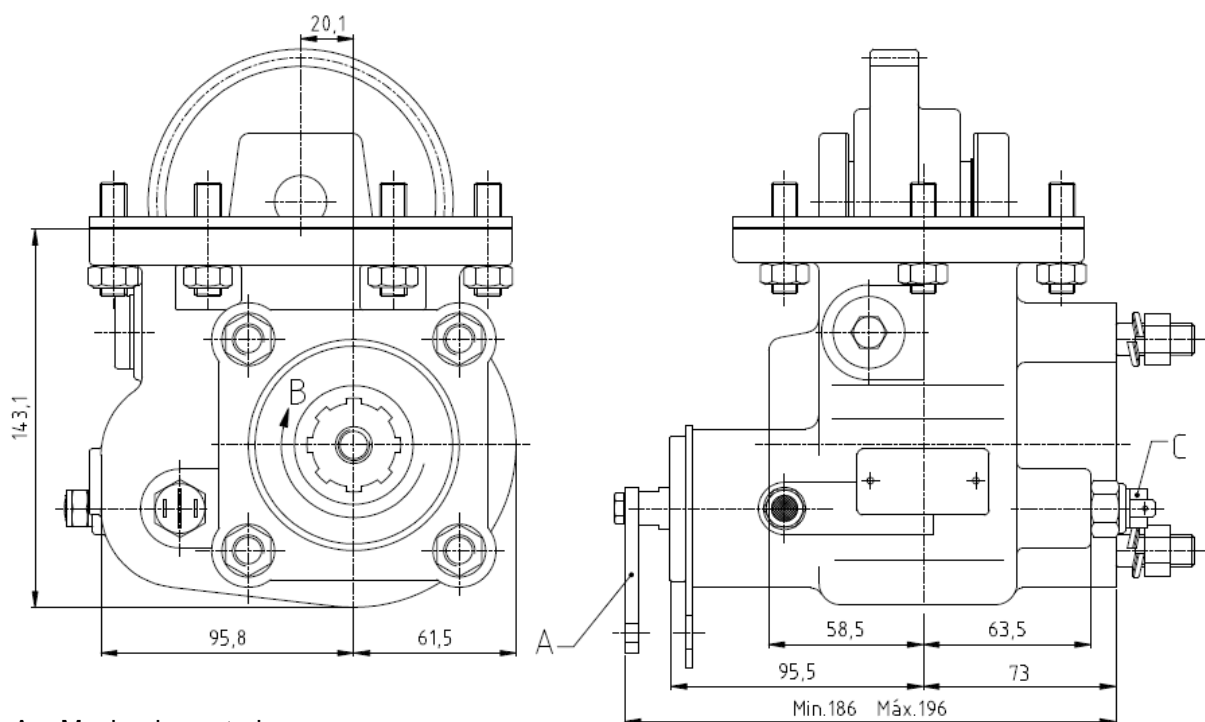




<b>Power Take Offs</b>		Ref. TF3003M
<b>ISUZU</b>	MSA 5G ; MSA 5P Mechanic Control	

### Main Dimensions



- A – Mechanic control
- B – Pump rotation
- C – Option: Electric sensor with mechanical driving Ref. TF3003MS or TF3003MC

(Dimensions in mm)

### Main Data

<b>Continuous Torque (Nm)</b>	<b>300</b>
<b>Intermittent Torque (Nm)</b>	<b>420</b>
<b>Power (at 1000 r.p.m)</b>	<b>42 C.V. / 32 Kw</b>
<b>Mounting Position</b>	<b>Left</b>
<b>Pump Rotation</b>	<b>Left Hand</b>
<b>Weight (Kg)</b>	<b>11.5</b>
<b>PTO internal ratio</b>	<b>1:1,19</b>
<b>Indicative ratio from motor to PTO's output</b>	

CTI TF3003M 1211-1

ABER is constantly engaged in improving its products and, therefore, reserves itself the right to modify without any further notice the characteristics shown. The gear boxes are in constant change; therefore, ABER is not to be held responsible for any damage resulting from wrong application or application of outdated material.



**ABER - Embraagens e Comandos Hidráulicos - A. B. LDA**  
 Rua Francisco de Almeida, Nº 30 – Vila Nova da Telha – 4470 MAIA - Portugal  
 Telephone: +351.22.9438070 Fax: +351.22.9420823 e-mail: [aber@aber.pt](mailto:aber@aber.pt) <http://www.aber.pt>