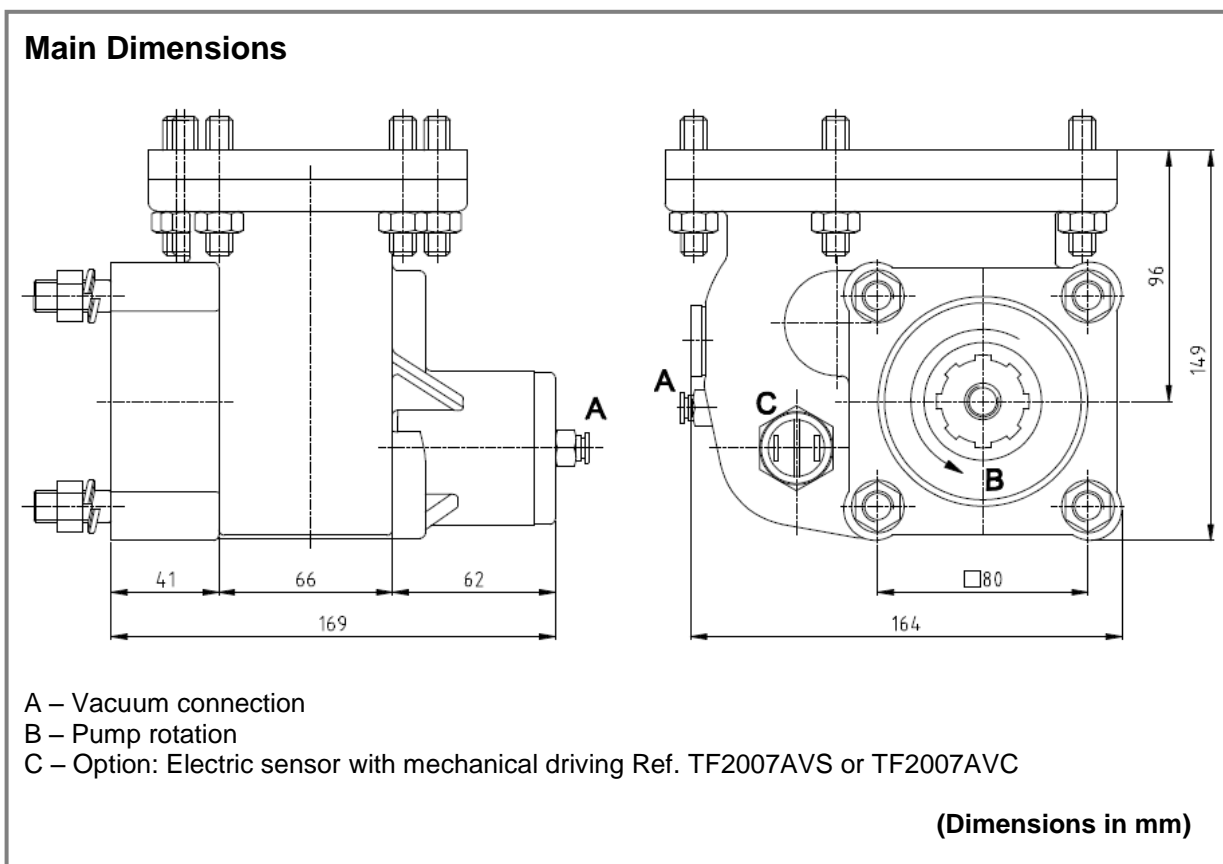




| | | |
|------------------------|-----------------------|---------------|
| Power Take Offs | | Ref. TF2007AV |
| CANTER | MO36S5 Vacuum Control | |

To apply with Gear Pumps or Piston Pumps



| Main Data | |
|--|----------------------|
| Continuous Torque (Nm) | 150 |
| Intermittent Torque (Nm) | 210 |
| Power (at 1000 rpm) | 21 cv / 16 kW |
| Mounting Position | Left |
| Pump Rotation | Right Hand |
| Weight (kg) | 5,3 |
| PTO internal ratio | 1:0,91 |
| Indicative ratio from motor to PTO's output | 1:0,43 |

CTI TF2007AV 1211-2

ABER is constantly engaged in improving its products and, therefore, reserves itself the right to modify without any further notice the characteristics shown. The gear boxes are in constant change; therefore, ABER is not to be held responsible for any damage resulting from wrong application or application of outdated material.



ABER - Embragens e Comandos Hidráulicos - A. B. LDA
 Rua Francisco de Almeida, Nº 30 – Vila Nova da Telha – 4470 MAIA - Portugal
 Telephone: +351.22.9438070 Fax: +351.22.9420823 e-mail: aber@aber.pt <http://www.aber.pt>