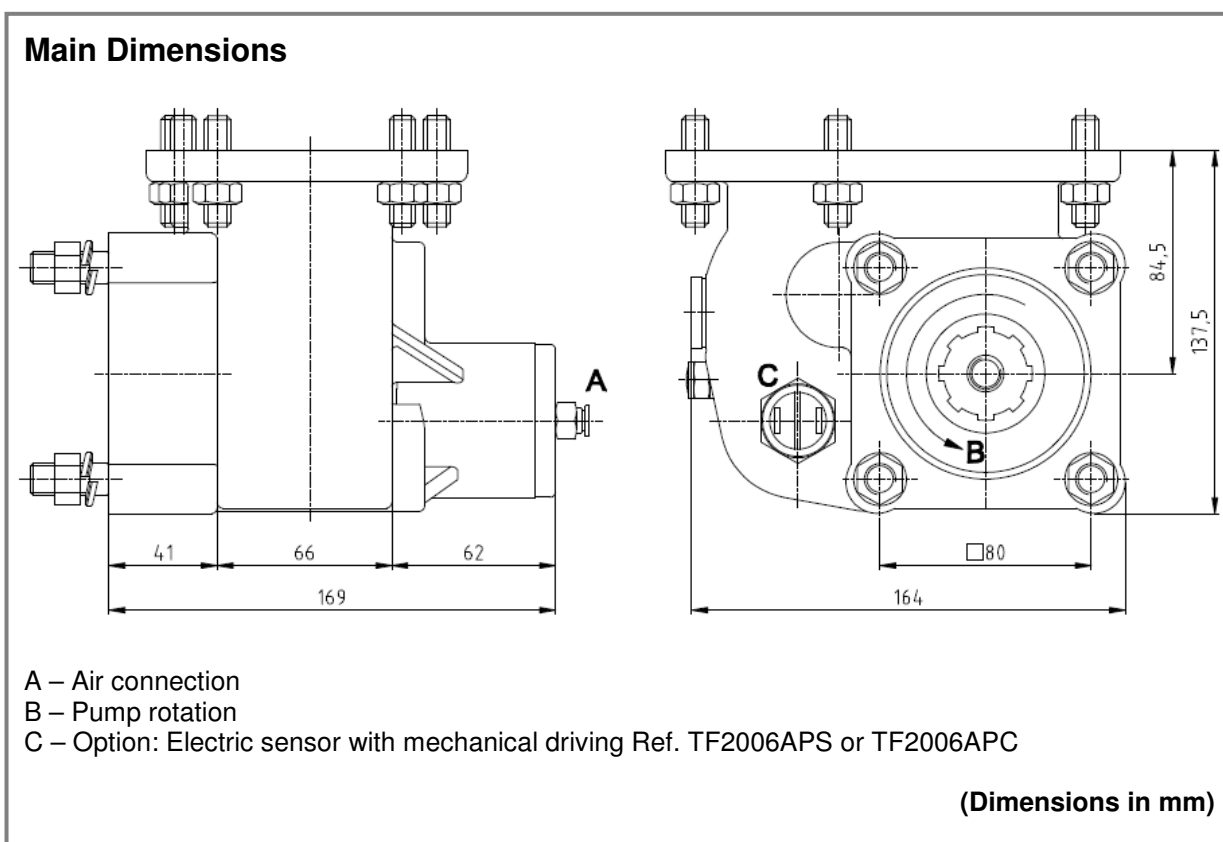




<b>Power Take Offs</b>		Ref. TF2006AP
<b>CANTER</b>	MO27S5 ; MO38S5 ; MO38S6 Pneumatic Control	

To apply with Gear Pumps or Piston Pumps



Main Data	
<b>Máx. Torque (Nm)</b>	<b>200</b>
<b>Power (at 1000 rpm)</b>	<b>28 cv / 21 kW</b>
<b>Power (at 1500 rpm)</b>	<b>42 cv / 32 kW</b>
<b>Mounting Position</b>	<b>Left</b>
<b>Pump Rotation</b>	<b>Right Hand</b>
<b>Weight (kg)</b>	<b>5</b>
<b>PTO internal ratio</b>	<b>1:0,90</b>
<b>Indicative ratio from motor to PTO's output</b>	
MO27S5	1:0,475
MO38S5 ; MO38S6 MT	1:0,418
MO38S5 ; MO38S6 AMT	1:0,426

CTI TF2006AP 1306- 3

ABER is constantly engaged in improving its products and, therefore, reserves itself the right to modify without any further notice the characteristics shown. The gear boxes are in constant change; therefore, ABER is not to be held responsible for any damage resulting from wrong application or application of outdated material.



**ABER - Embraiaçes e Comandos Hidráulicos - A. B. LDA**  
 Rua Francisco de Almeida, Nº 30 – Vila Nova da Telha – 4470 MAIA - Portugal  
 Telephone: +351.22.9438070 Fax: +351.22.9420823 e-mail: [aber@aber.pt](mailto:aber@aber.pt) <http://www.aber.pt>