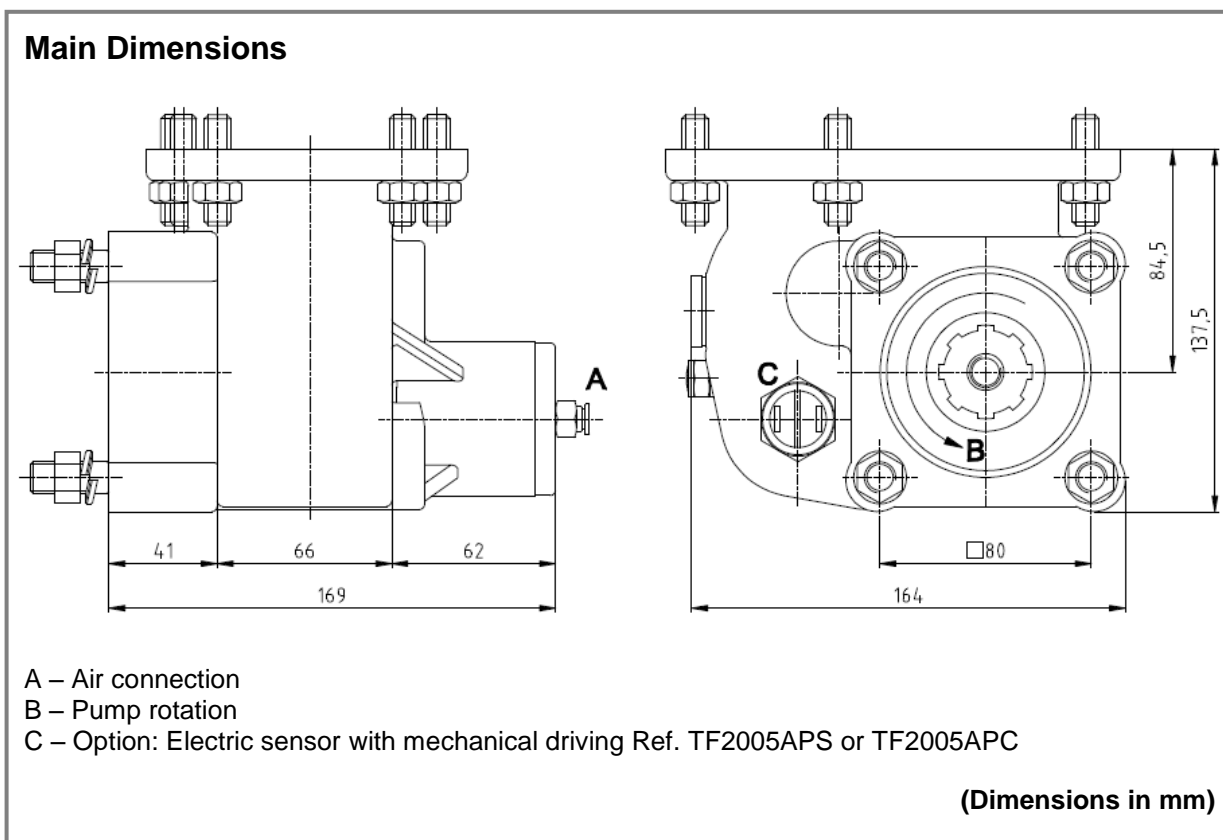




Power Take Offs		Ref. TF2005AP
CANTER	MO40S5 Pneumatic Control	

To apply with Gear Pumps or Piston Pumps



Main Data	
Continuous Torque (Nm)	150
Intermittent Torque (Nm)	210
Power (at 1000 rpm)	21 cv / 16 kW
Mounting Position	Left
Pump Rotation	Right Hand
Weight (kg)	5
PTO internal ratio	1:1,11
Indicative ratio from motor to PTO's output	

CTI TF2005AP 1211- 3

ABER is constantly engaged in improving its products and, therefore, reserves itself the right to modify without any further notice the characteristics shown. The gear boxes are in constant change; therefore, ABER is not to be held responsible for any damage resulting from wrong application or application of outdated material.



ABER - Embraiaçens e Comandos Hidráulicos - A. B. LDA
 Rua Francisco de Almeida, Nº 30 – Vila Nova da Telha – 4470 MAIA - Portugal
 Telephone: +351.22.9438070 Fax: +351.22.9420823 e-mail: aber@aber.pt <http://www.aber.pt>