



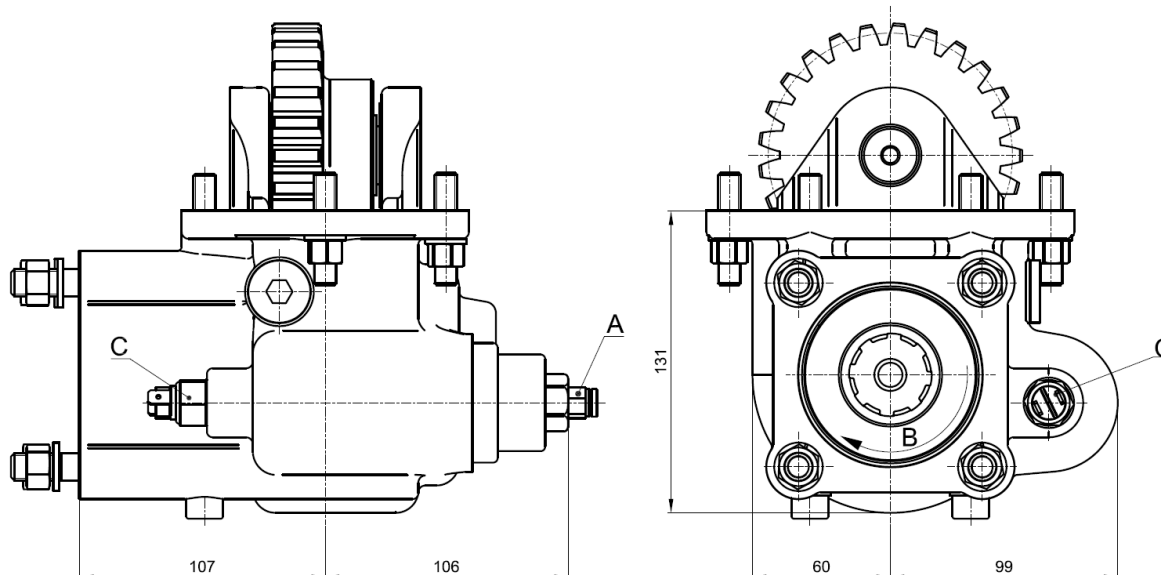
Power Take Offs

Ref. TF19002P

MAZ

236 ISO7653

Main Dimensions



A – Pneumatic connection

B – Pump rotation

C – Option: Electric sensor with mechanical driving Ref. TF19002PS or TF19002PC

(Dimensions in mm)

Main Data

Continuous Torque (Nm)	320
Intermittent Torque (Nm)	400
Power (at 1000 r.p.m)	48 C.V. / 35 kW
Mounting Position	Right
Pump Rotation	Left Hand
Weight (Kg)	9
PTO internal ratio	1:1,32
Indicative ratio from motor to PTO's output	

Maz 236

1 : 0.900

CTI TF19002P 1211-1

ABER is constantly engaged in improving its products and, therefore, reserves itself the right to modify without any further notice the characteristics shown. The gear boxes are in constant change; therefore, ABER is not to be held responsible for any damage resulting from wrong application or application of outdated material.



ABER - Embraiaçens e Comandos Hidráulicos - A. B. LDA

Rua Francisco de Almeida, Nº 30 – Vila Nova da Telha – 4470 MAIA - Portugal

Telephone: +351.22.9438070 Fax: +351.22.9420823 e-mail: aber@aber.pt <http://www.aber.pt>

1/1