



Power Take Offs		Ref. TF11003P
Relation 1 : 1,35		
IVECO	2870.9	

Main Dimensions

A – Air connection
 B – Pump rotation
 C – Option: Electric sensor with mechanical driving Ref. 11003PS
 1 – Adapter shaft VK11003
 2 – Bearing

(Dimensions in mm)

Main Data	
Continuous Torque (Nm)	300
Intermittent Torque (Nm)	420
Power (at 1000 r.p.m)	42 C.V. / 32 Kw
Mounting Position	Rear
Pump Rotation	Right Hand
Weight (Kg)	11
Engine to PTO ratio	1:0.97

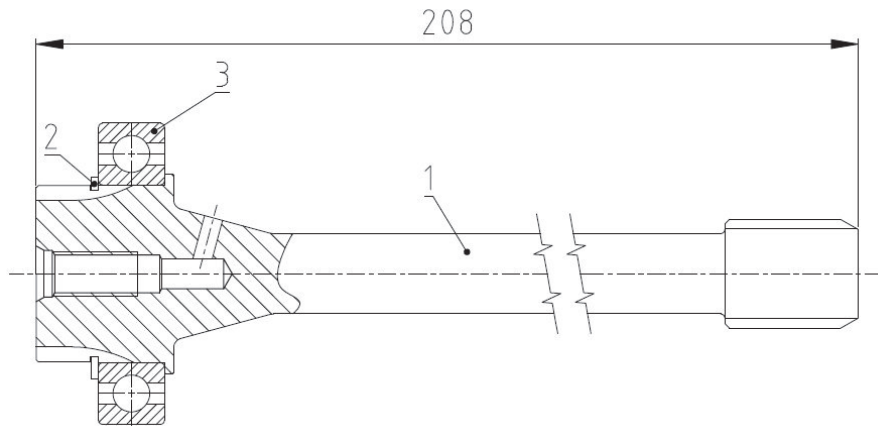


ADAPTER KIT TO POWER TAKE OFFS
IVECO

2870.9

Ref. VK11003

Main Dimensions



- 1 – Adapter shaft VK11003
- 2 – Circlip
- 3 – Bearing

(Dimensions in mm)

Main Data

Continuous Torque (Nm)	300
Intermittent Torque (Nm)	420
Power (at 1000 r.p.m)	42 H.P. / 32 Kw
Weight (Kg)	0,9
Engine to PTO ratio	1:0.72