



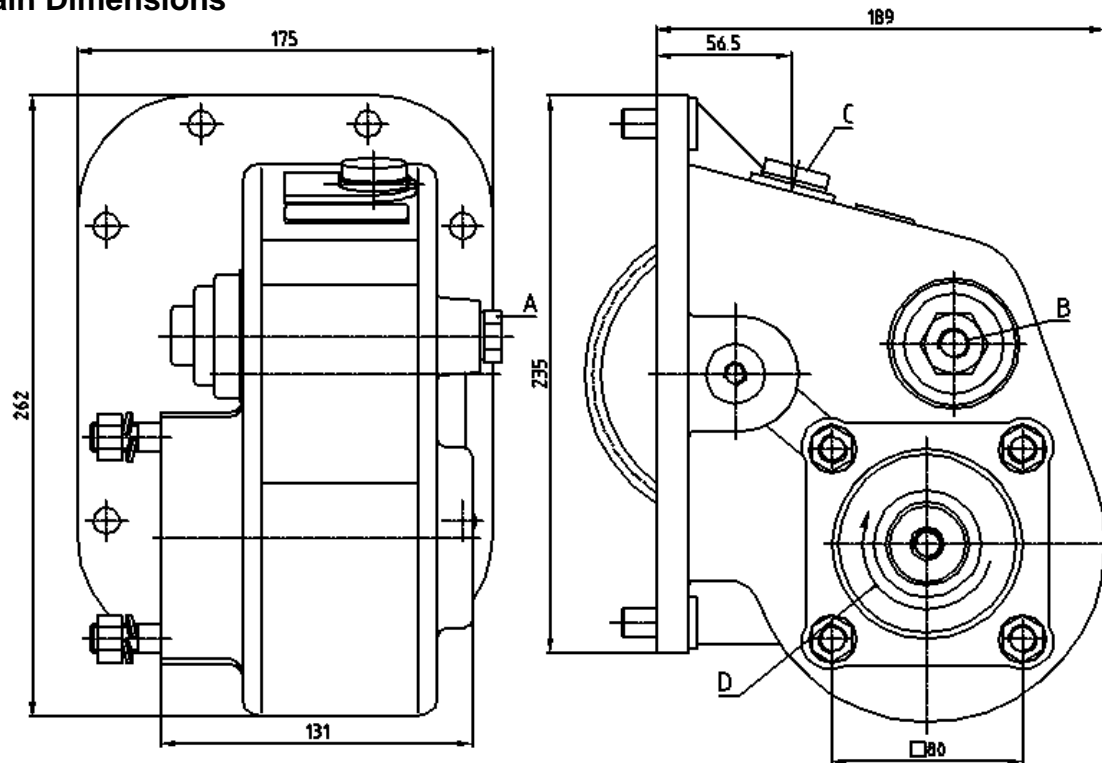
Power Take Offs

Ref. TF10007P

SCANIA

GRS 890 ; GRS 900 ; GRS 920 ; GRS 900R ; GRSH 900

Main Dimensions



A – Option: Electric sensor with mechanical driving Ref. TF10007PS or TF10007PC

B – Air connection

C – Backlash check plug

D – Pump rotation

(Dimensions in mm)

Main Data

Continuous Torque (Nm)	380
Intermittent Torque (Nm)	530
Power (at 1000 rpm)	53 cv / 39 kW
Mounting Position	Right
Pump Rotation	Left Hand
Weight (kg)	17,5
PTO internal ratio	1:1,19
Indicative ratio from motor to PTO's output	High - 1:1,45 Normal - 1:1,20