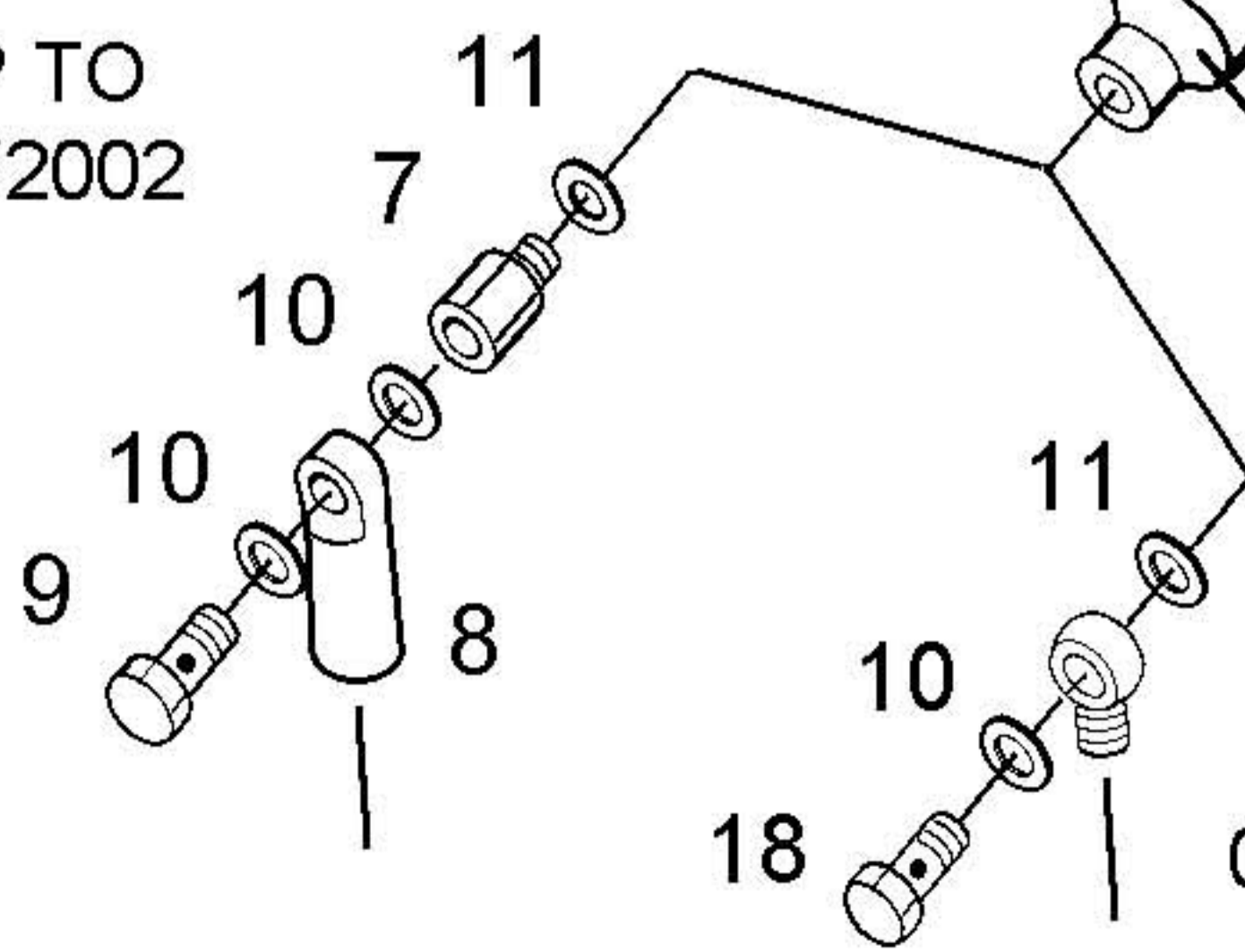


UP TO
03/2002



FROM
04/2002