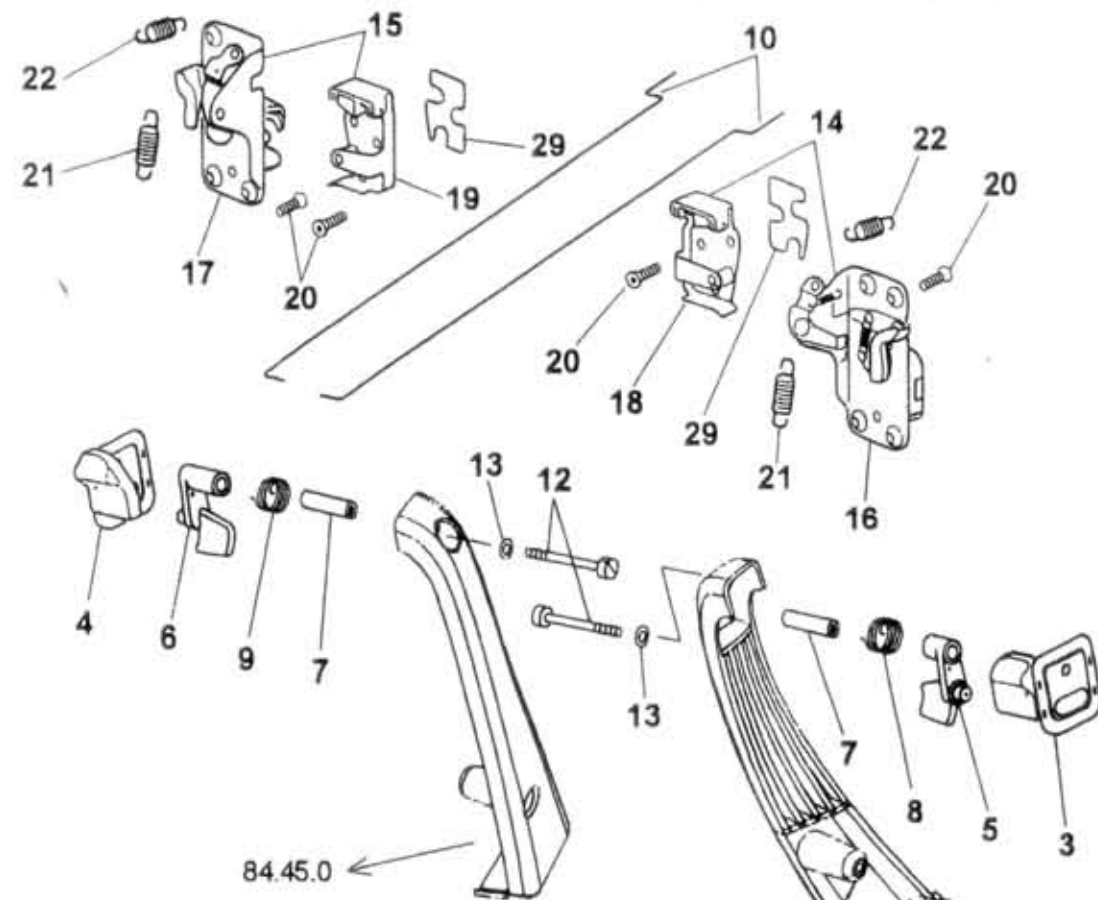
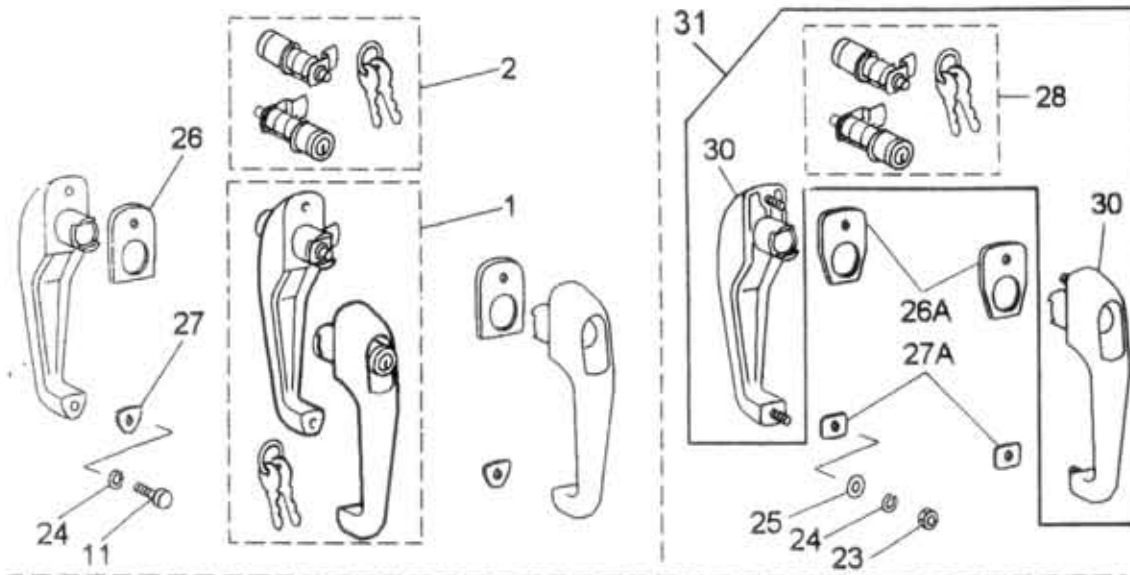


81.85.0

A7X.3101C.1- 03.2000

81.85.0

Type A60,75,80
Version
Group Skupina
Subgroup Podskupina
BODY KAROSERIE
Handles and locks Klíky a zámky



| Key No. | Order No. / Objed. č. | Description / Název dílu | Ks Qty | Validity | | I TC |
|---------|-----------------------|--|--------|----------|-------|----------------------|
| | | | | from | up to | |
| 01 | 360-988106 | Door handle set / Sada klik dveří | 1 | 0797 | 1197 | |
| 02 | 360-988204 | Set of buton with keys / Sada tlačítek s klíči | 1 | 0797 | 1197 | |
| 03 | 360-988571 | Dish assy. LH / Miska úpl. L | 1 | 0797 | 1197 | |
| 03A | 366-988570 | Dish assy. LH / Miska úpl. L | 1 | 1297 | | Z |
| 04 | 360-988572 | Dish assy. RH / Miska úpl. P | 1 | 0797 | 1197 | |
| 04A | 366-988571 | Dish assy. RH / Miska úpl. P | 1 | 1297 | | Z |
| 05 | 360-988202 | Button of handle LH / Tlačítko L | 1 | 0797 | | |
| 06 | 360-988203 | Button of handle RH / Tlačítko P | 1 | 0797 | | |
| 07 | 360-988710 | Spacer / Rozpěrka | 2 | 0797 | | |
| 08 | 360-988950 | Spring LH / Pružina L | 1 | 0797 | | |
| 09 | 360-988951 | Spring RH / Pružina P | 1 | 0797 | | |
| 10 | 360-988500 | Rod / Táhlo | 1 | 0797 | | |
| 11 | 360-749090 | Screw with pike / Šroub s hrotem | 4 | 0797 | 1197 | M6x12 |
| 12 | 982-085035 | Bolt / Šroub | 2 | 0797 | | M5x35 ČSN 02 1135.29 |
| 13 | 992-702885 | Washer / Podložka | 4 | 0797 | | 5,3 ČSN 02 1702.19 |
| 14 | 360-988011 | Lock with striker LH / Zámek s nájezdem L | 1 | 0797 | | |
| 15 | 360-988001 | Lock with striker RH / Zámek s nájezdem P | 1 | 0797 | | |